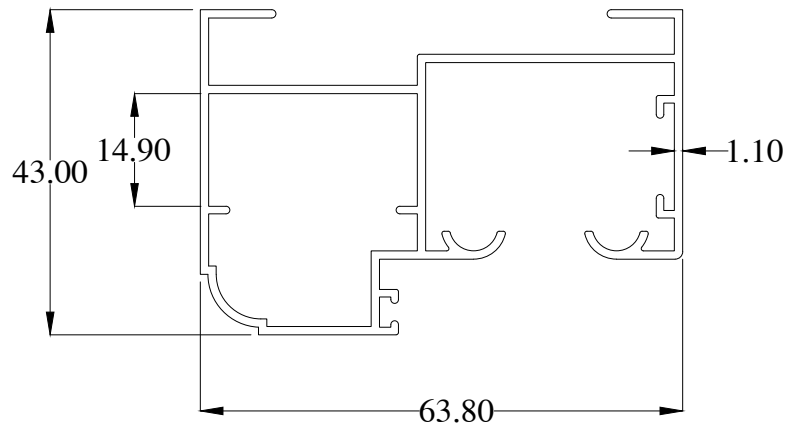


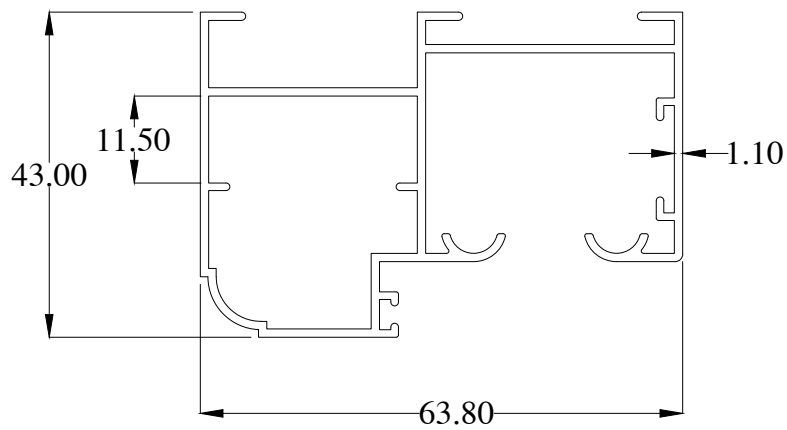


BI-FOLD DOOR

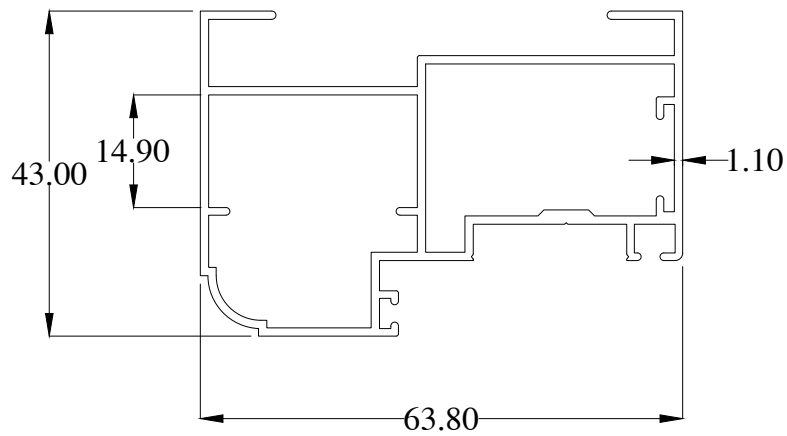
NO.	PROFILE NO.	WEIGHT (kg / m)	AP (mm)	LENGTH (m , ft)		DESCRIPTIONS	REMARKS
1	FD2001	0.792	403.70				
2	FD2001-A	0.800	408.95				
3	FD2002	0.841	301.82				
4	FD2002-A	0.850	303.84				
5	FD2003	0.577	209.07				
	FD2004	0.584	213.71				
	FD2005	0.529	173.92				



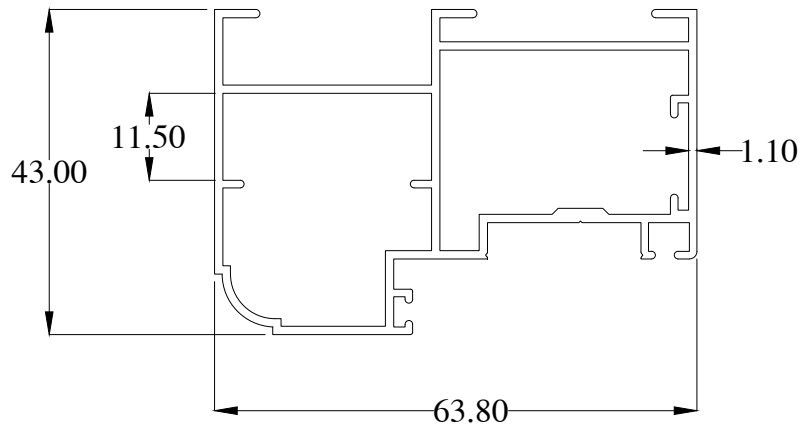
FD2001
WT : 0.792 Kg/m



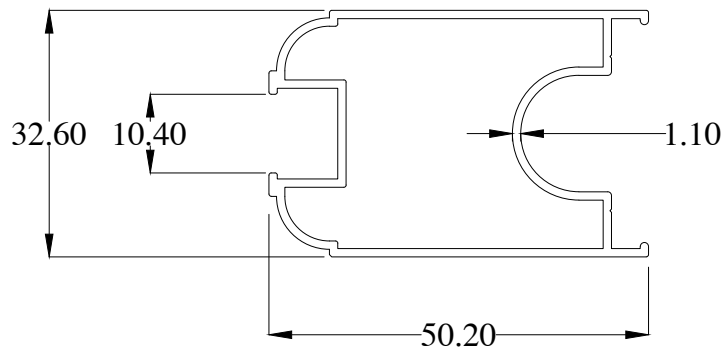
FD2001-A
WT : 0.800 Kg/m



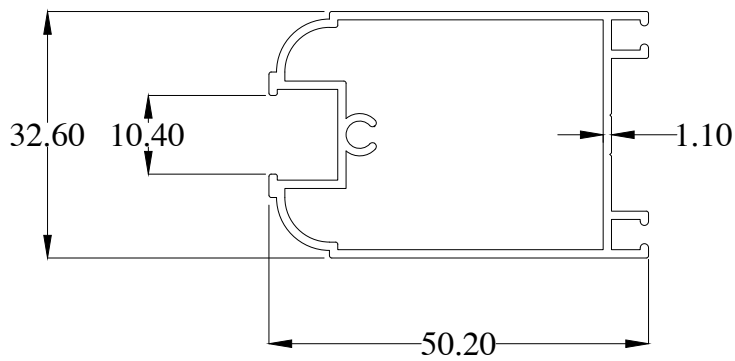
FD2002
WT : 0.841 Kg/m



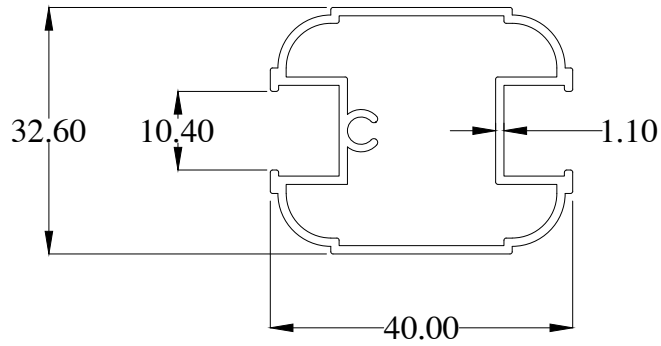
FD2002-A
WT : 0.850 Kg/m



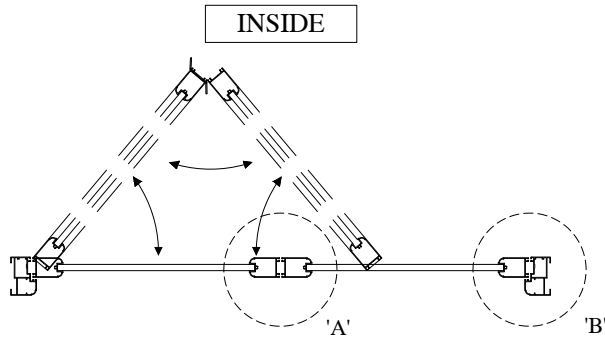
FD2003
WT : 0.577 Kg/m



FD2004
WT : 0.584 Kg/m



FD2005
WT : 0.529 Kg/m

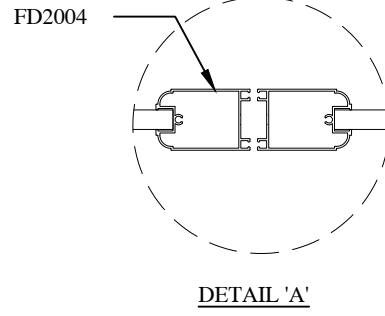


OUTSIDE

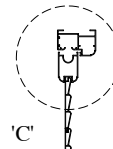
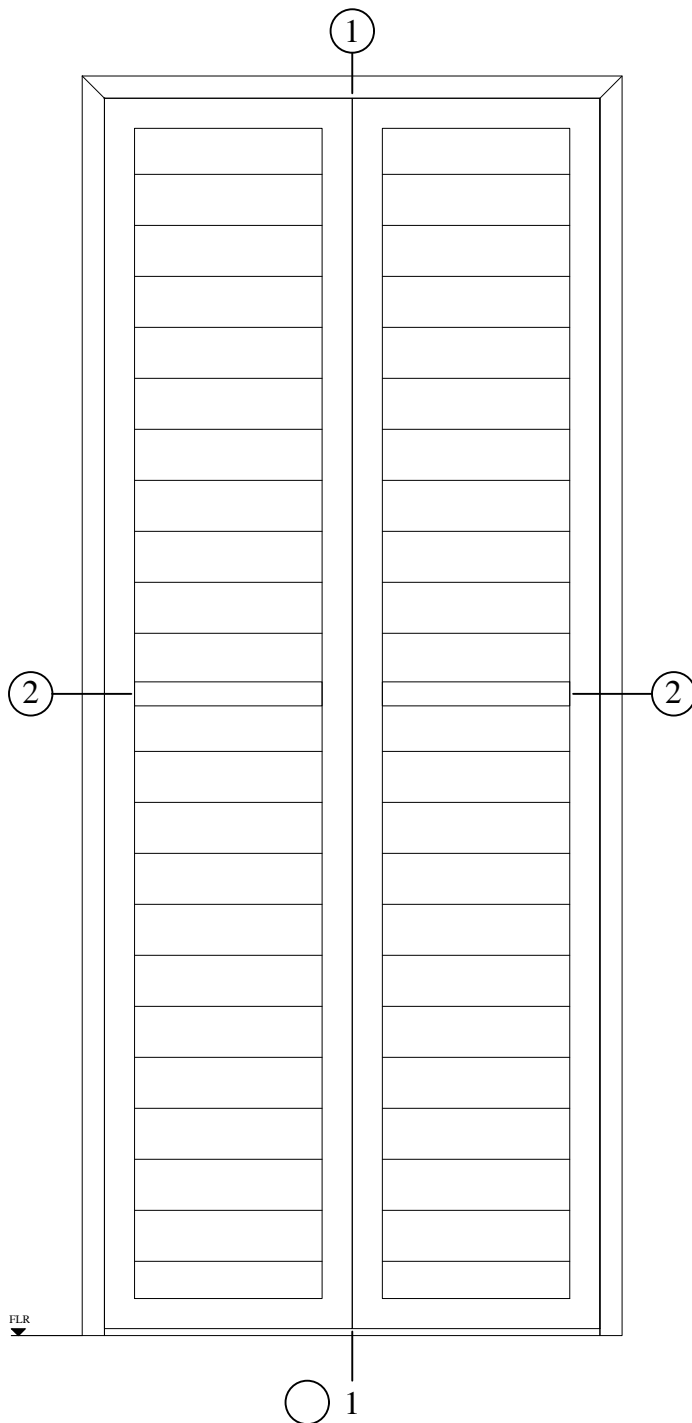
SECTION 2-2

INSIDE

OUTSIDE

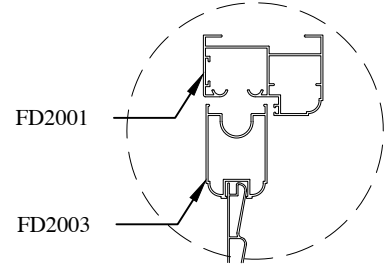


DETAIL 'A'



FD2002

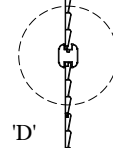
DETAIL 'B'



FD2001

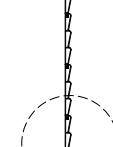
FD2003

DETAIL 'C'



FD2005

DETAIL 'D'



AM1021

DETAIL 'E'

SECTION 1-1