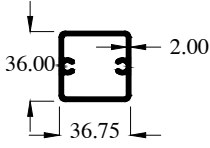
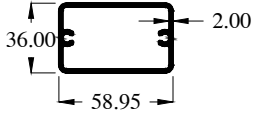
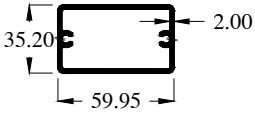
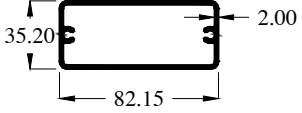
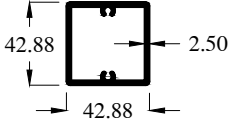
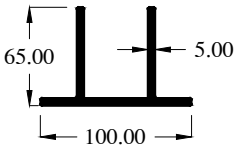
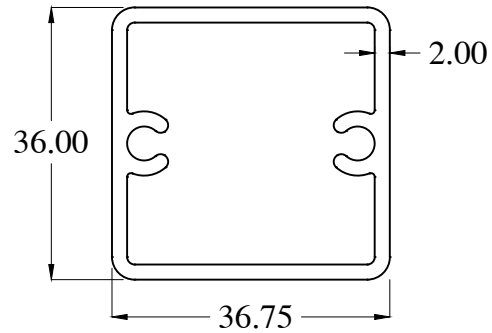




BRACKET

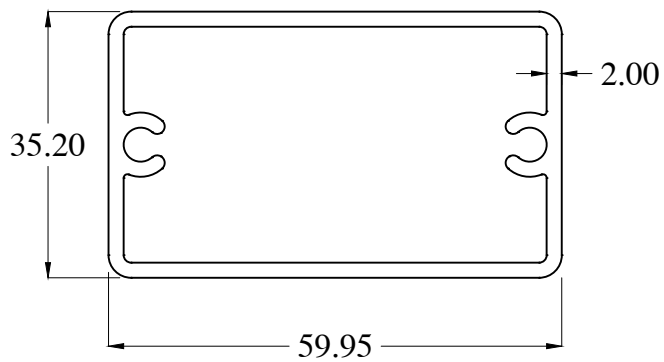
NO.	PROFILE NO.	WEIGHT (kg / m)	AP (mm)	LENGTH (m , ft)		DESCRIPTIONS	REMARKS
1	CW701	0.853	140.35				
2	CW717	1.082	183.03				
3	CW801	1.095	185.15				
4	CW817	1.325	227.83				
5	FC1018	1.179	168.09				
6	KW1233	2.978	445.71				



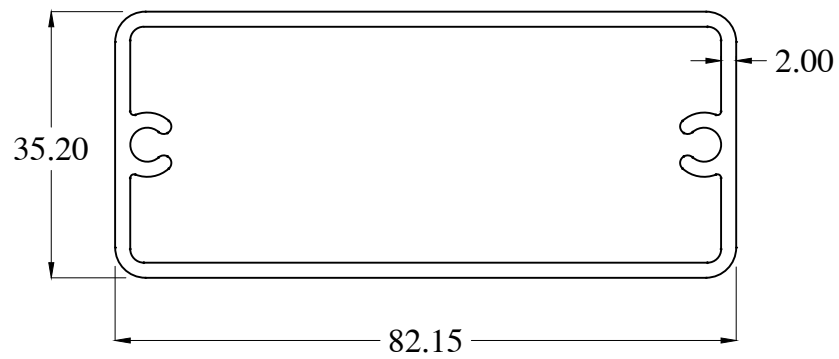
CW701
WT : 0.853 Kg/m



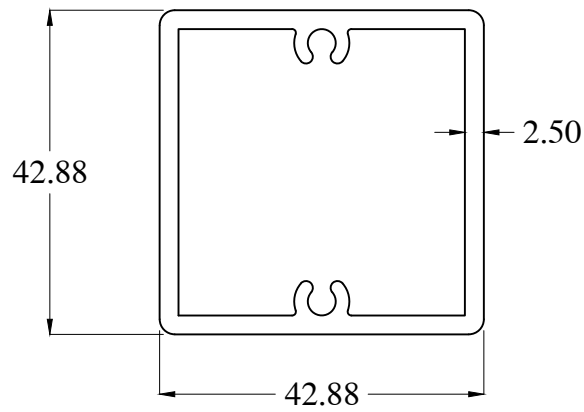
CW717
WT : 1.082 Kg/m



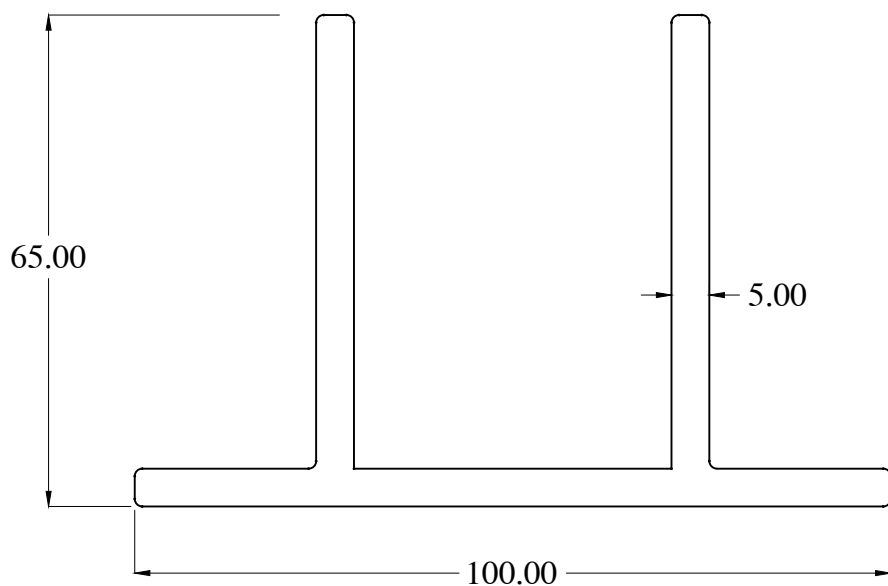
CW801
WT : 1.095 Kg/m



CW817
WT : 1.325 Kg/m



FC1018
WT : 1.179 Kg/m



KW1233
WT : 2.978 Kg/m