



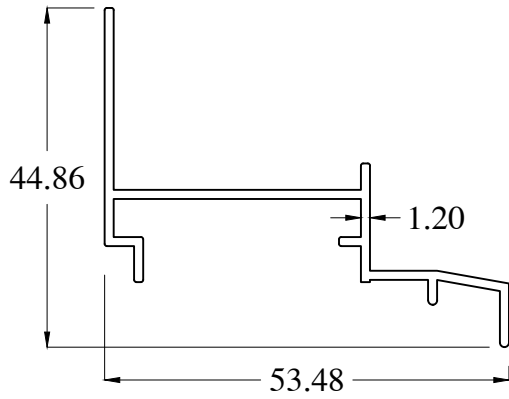
**CURTAIN WALL
76 & 100MM
(WITHOUT FRAME)**

NO.	PROFILE NO.	WEIGHT (kg / m)	AP (mm)	LENGTH (m , ft)	DESCRIPTIONS	REMARKS
1	CW607	0.391	241.26			
2	CW708	0.635	201.07			
3	CW717	1.082	183.03			
4	CW729	0.928	231.57			
5	CW817	1.325	227.83			
6	CW829	1.396	279.57			

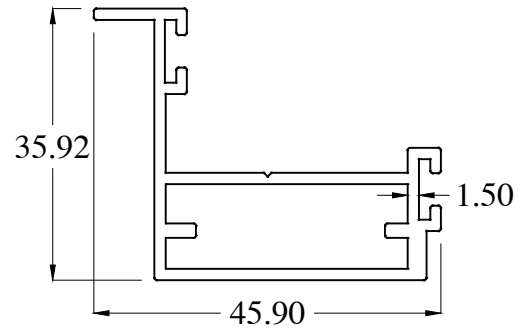


**CURTAIN WALL
76 & 100MM
(WITH FRAME)**

NO.	PROFILE NO.	WEIGHT (kg / m)	AP (mm)	LENGTH (m , ft)	DESCRIPTIONS	REMARKS
7	CW605	0.326	125.03			
8	CW606	0.174	138.43			
9	CW701	0.853	140.35			
10	CW702	1.047	278.63			
11	CW703	0.998	464.67			
12	CW704	1.400	461.47			
13	CW801	1.095	185.15			
14	CW802	1.461	327.43			
15	CW803	1.340	506.67			
16	CW804	1.891	506.27			



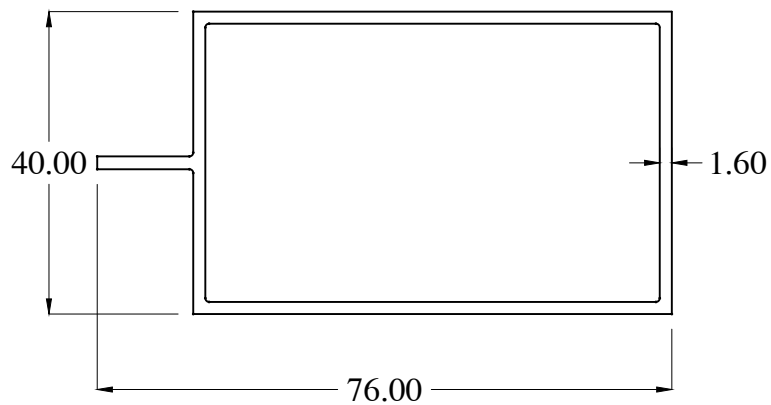
CW607
WT : 0.391 Kg/m



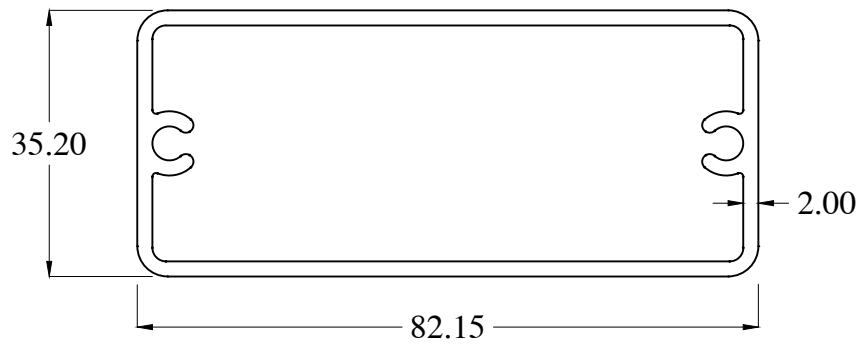
CW708
WT : 0.635 Kg/m



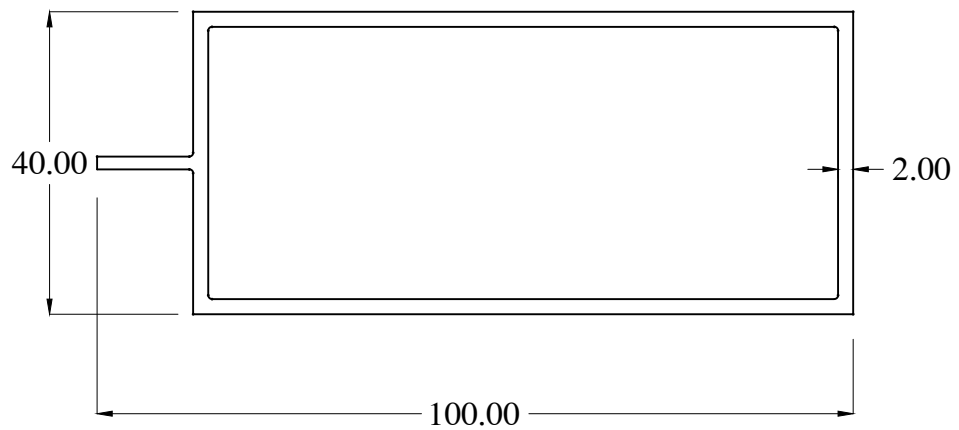
CW717
WT : 1.082 Kg/m



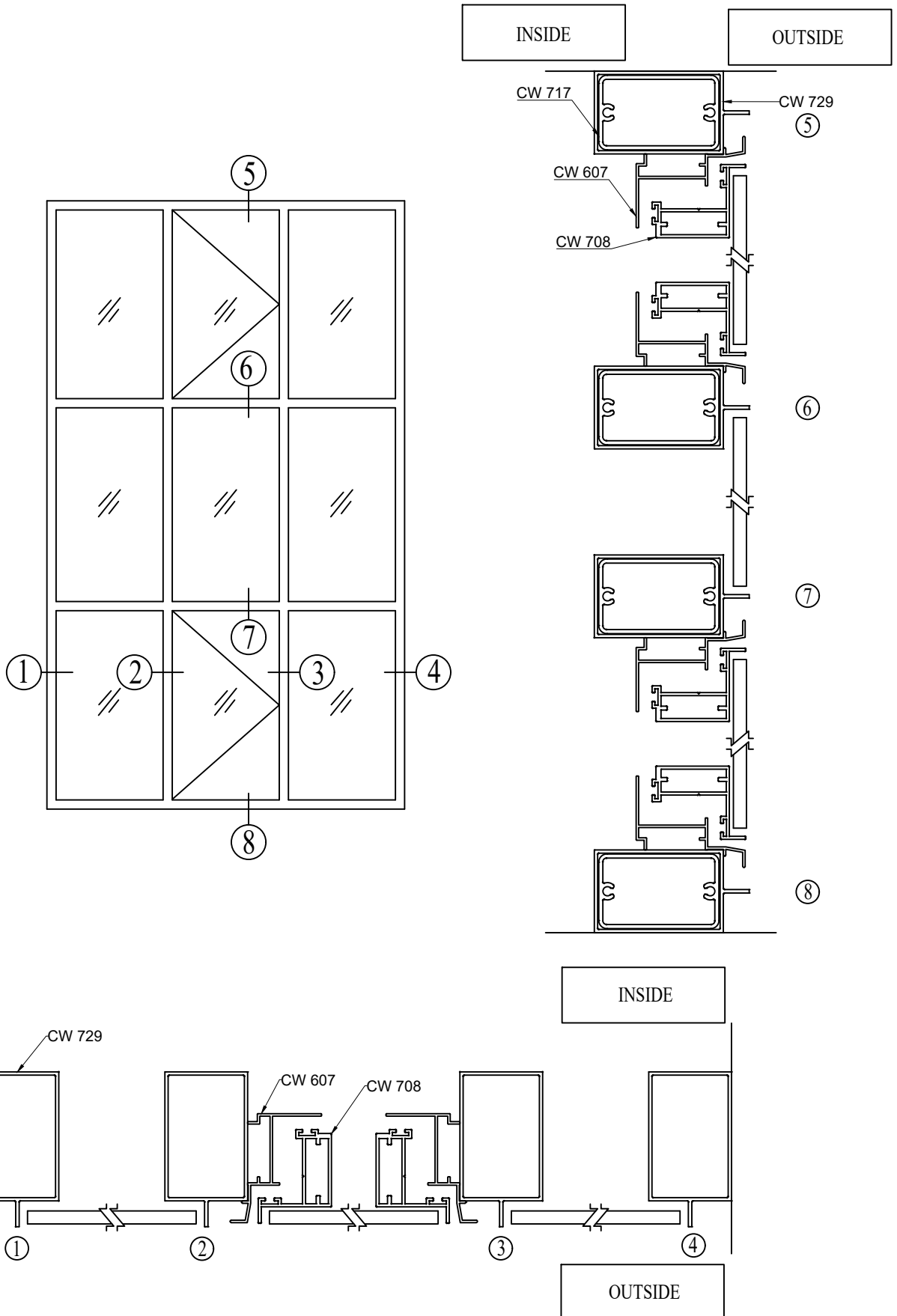
CW729
WT : 0.928 Kg/m

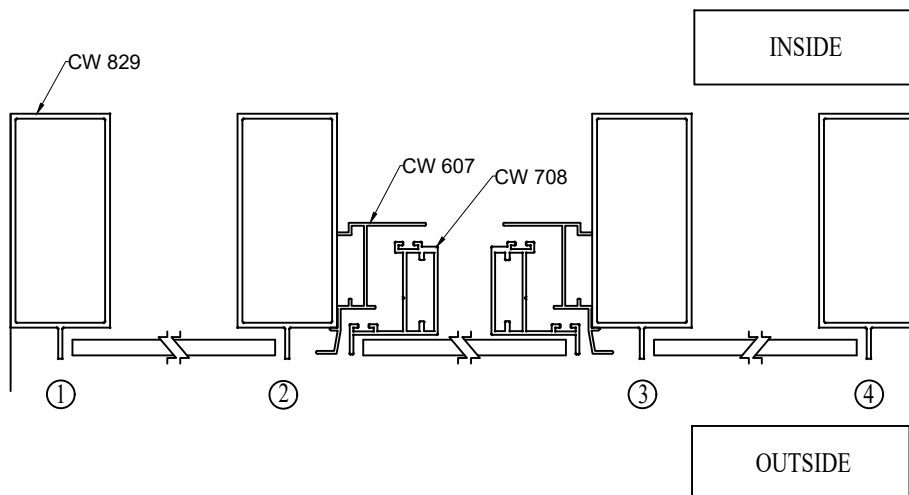
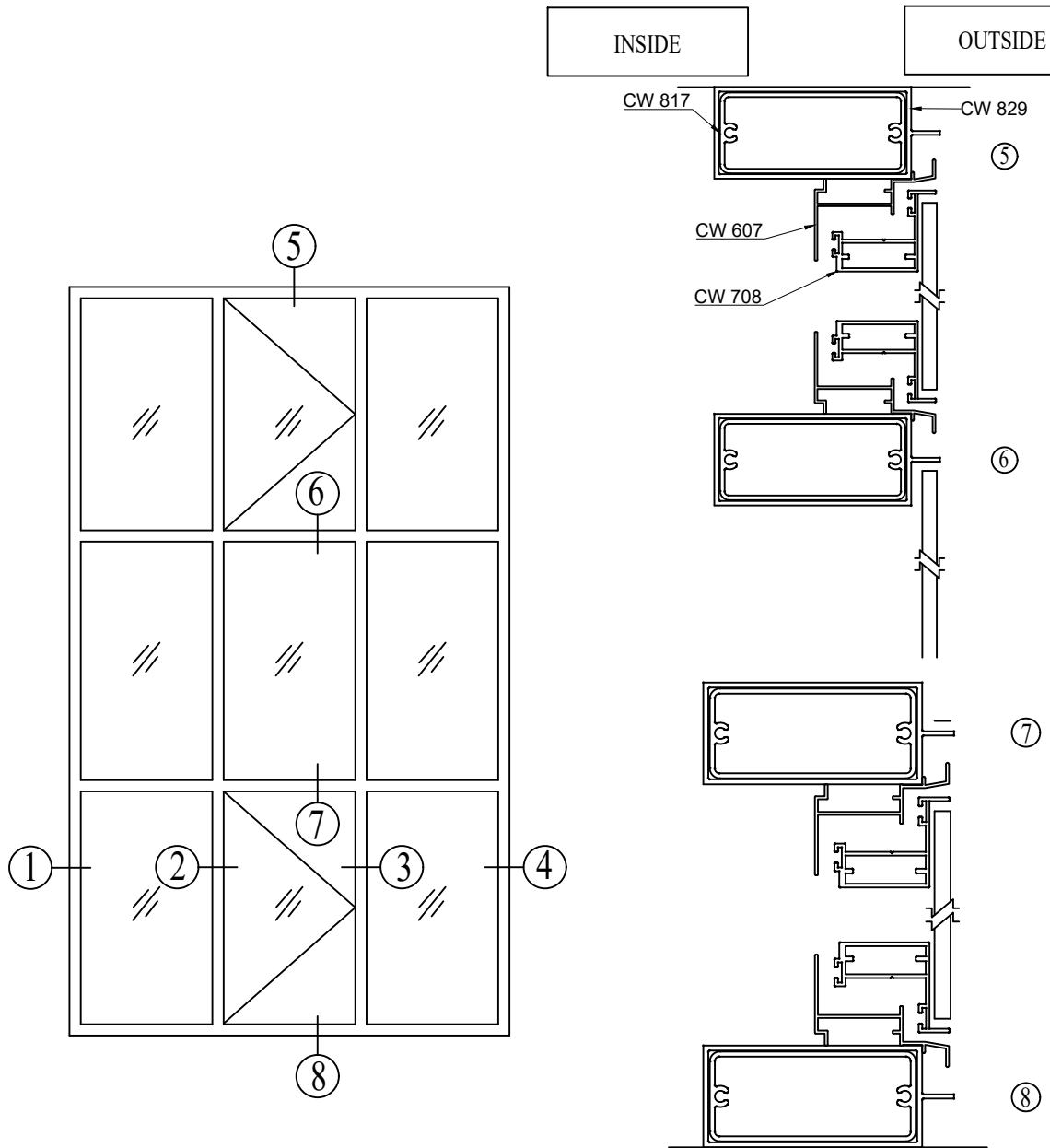


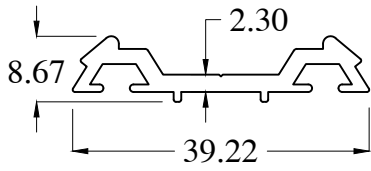
CW817
WT : 1.325 Kg/m



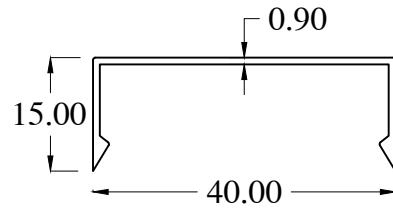
CW829
WT : 1.396 Kg/m



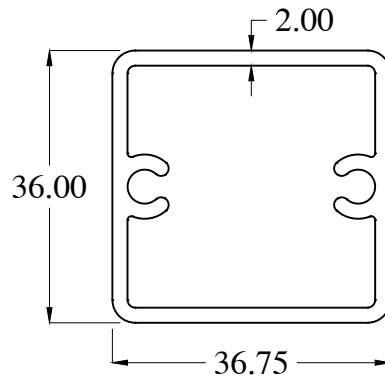




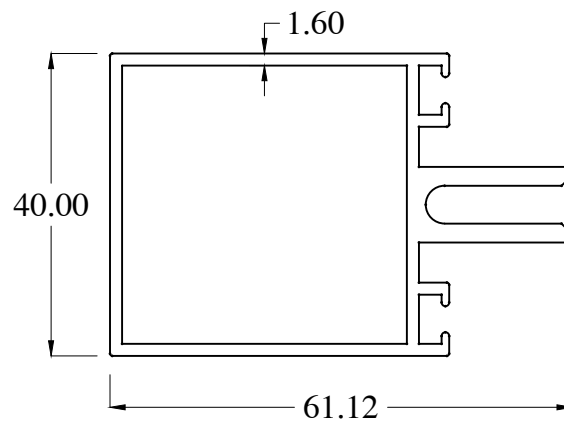
CW605
WT : 0.326 Kg/m



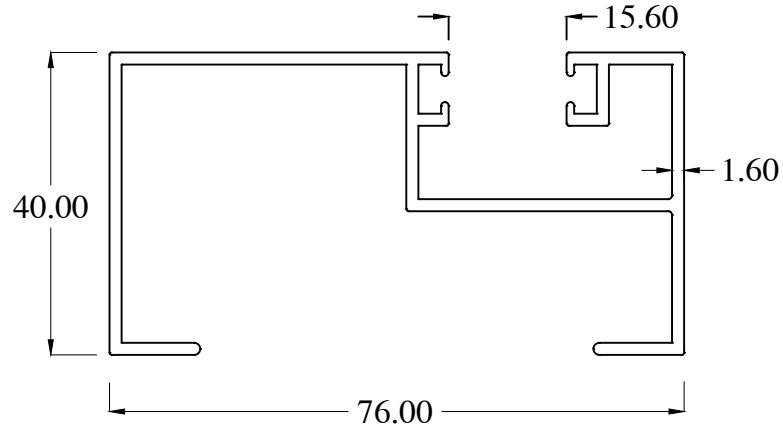
CW606
WT : 0.174 Kg/m



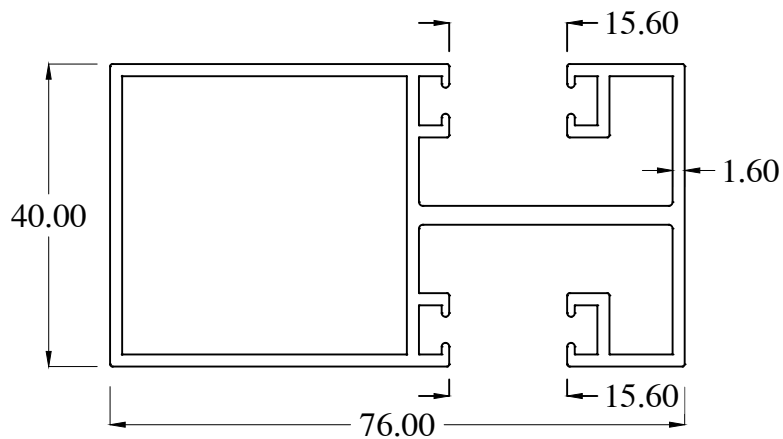
CW701
WT : 0.853 Kg/m



CW702
WT : 1.047 Kg/m



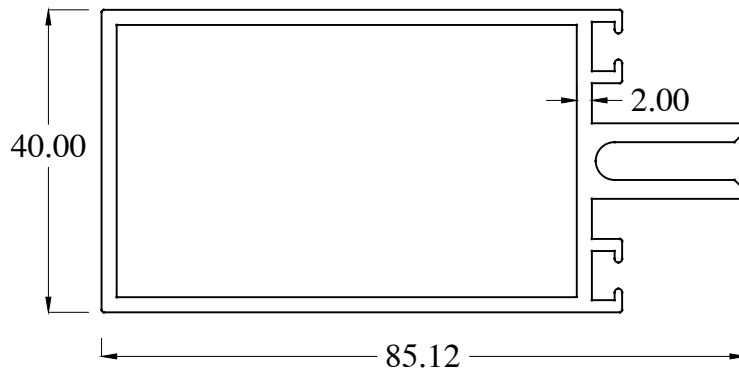
CW703
WT : 0.998 Kg/m



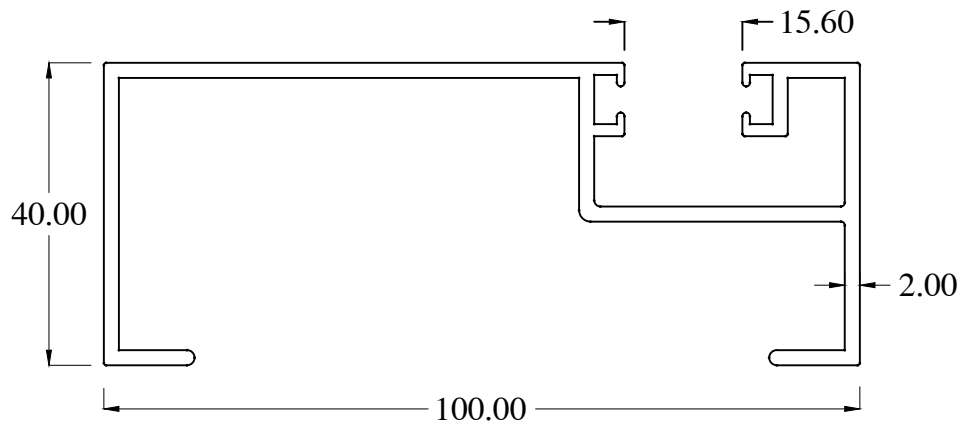
CW704
WT : 1.400 Kg/m



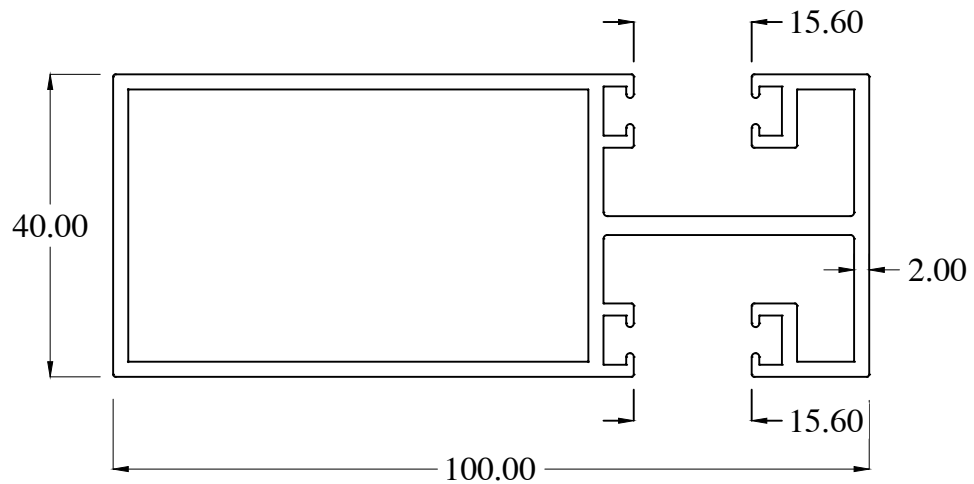
CW801
WT : 1.095 Kg/m



CW802
WT : 1.461 Kg/m



CW803
WT : 1.340 Kg/m



CW804
WT : 1.891 Kg/m

