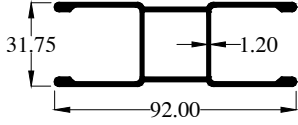
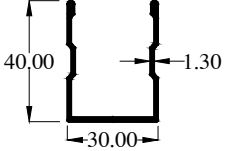
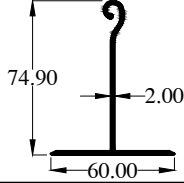
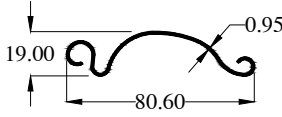
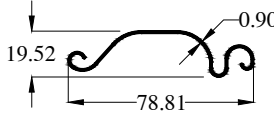
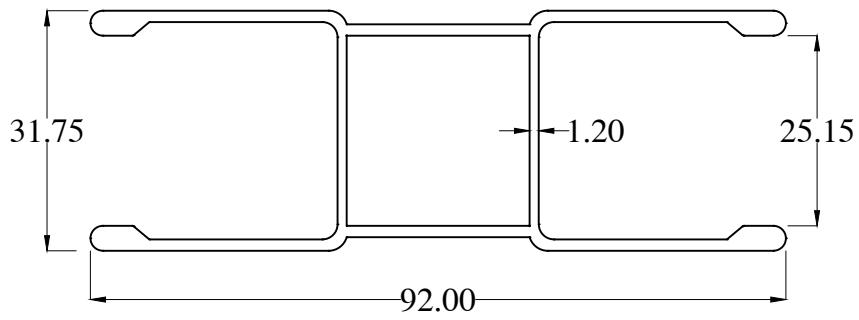




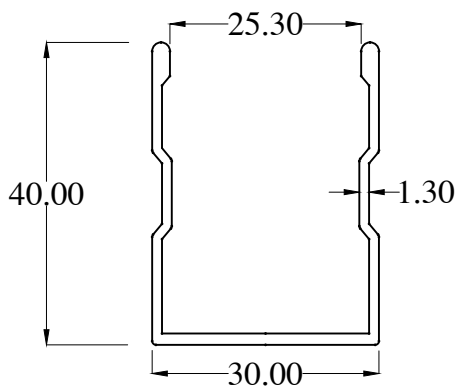
# ROLLER SHUTTER

NO.	PROFILE NO.	WEIGHT (kg / m)	AP (mm)	LENGTH (m , ft)	DESCRIPTIONS	REMARKS
1	RS11-1	1.083	382.26			
2	RS12-1	0.468	221.08			
3	RS13-1	0.798	394.91			
4	RS14-1	0.328	256.33			
5	RS16-1	0.311	256.08			



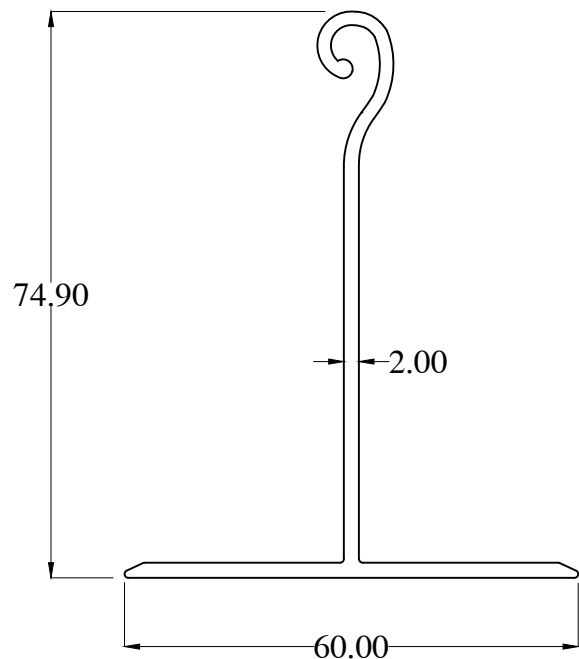
**RS11-1**

WT : 1.083 Kg/m



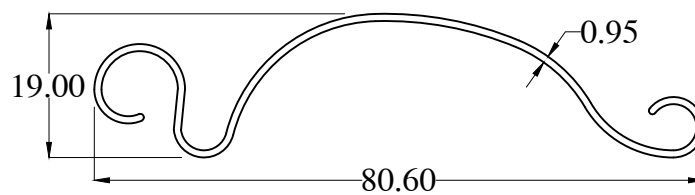
**RS12-1**

WT : 0.468 Kg/m



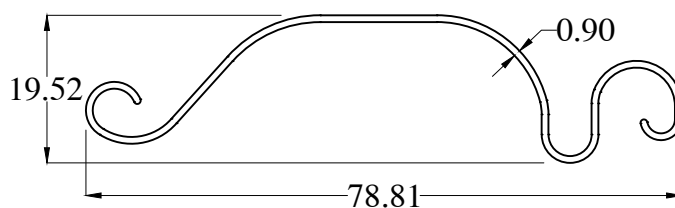
**RS13-1**

WT : 0.798 Kg/m



**RS 14-1**

WT : 0.328 Kg/m



**RS16-1**

WT : 0.311 Kg/m

