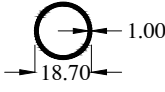
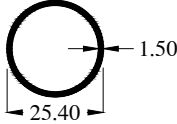
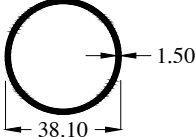

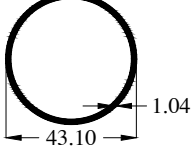
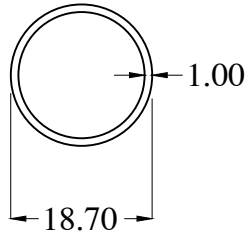


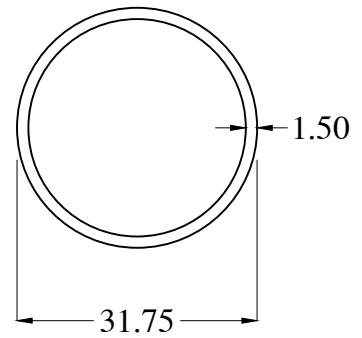


GENERAL
(ROUND TUBE)

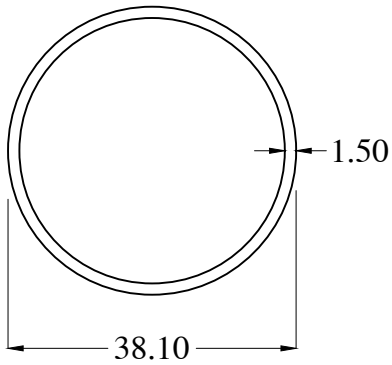
NO.	PROFILE NO.	WEIGHT (kg / m)	AP (mm)	LENGTH (m , ft)		DESCRIPTIONS	REMARKS
1	RO06-3	0.151	58.75				
2	RO10	0.386	99.75				
3	RO12	0.467	119.70				
4	RO104	0.402	103.67				
5	RO105	0.531	135.40				



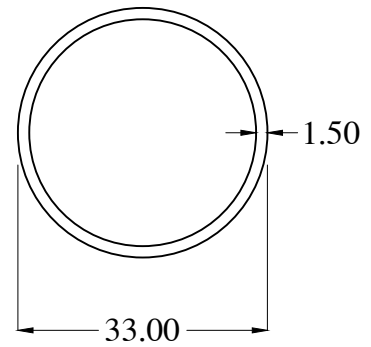
RO06-3
WT : 0.151 Kg/m



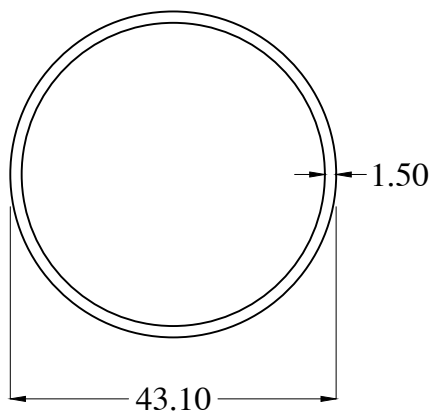
RO10
WT : 0.386 Kg/m



RO12
WT : 0.467 Kg/m



RO104
WT : 0.402 Kg/m



RO105
WT : 0.531 Kg/m