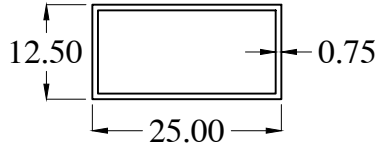


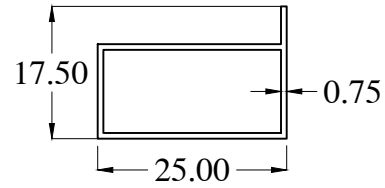


SUB - FRAME

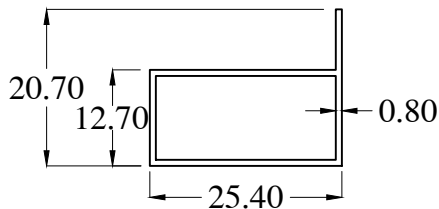
NO.	PROFILE NO.	WEIGHT (kg / m)	AP (mm)	LENGTH (m , ft)	DESCRIPTIONS	REMARKS
1	HB0408-1	0.158	75.00			
2	MY1345	0.169	85.00			
3	MY1359	0.176	92.20			
4	MY1374	0.199	181.41			
5	MY1384	0.188	105.21			
6	MY1385	0.292	137.21			
7	MY1385-A	0.279	125.00			



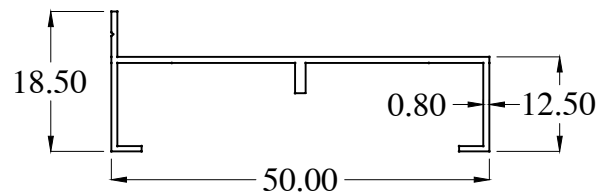
HB0408-1
WT : 0.158 Kg/m



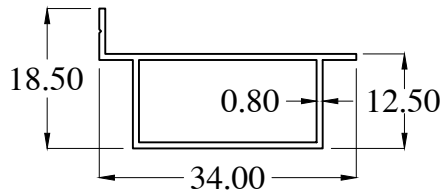
MY1345
WT : 0.169 Kg/m



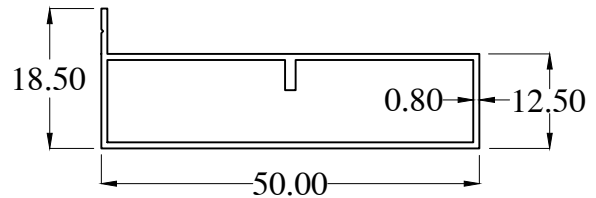
MY1359
WT : 0.176 Kg/m



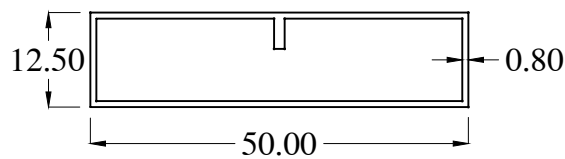
MY1374
WT : 0.199 Kg/m



MY1384
WT : 0.188 Kg/m

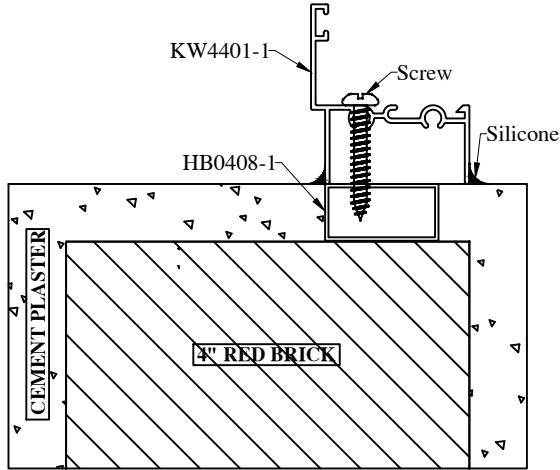


MY1385
WT : 0.292 Kg/m



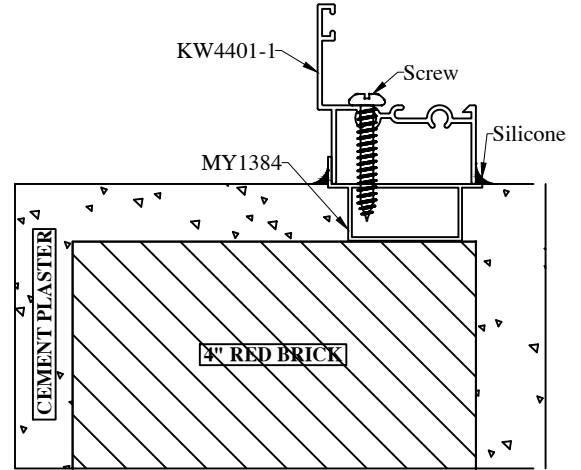
MY1385-A
WT : 0.279 Kg/m

INSIDE



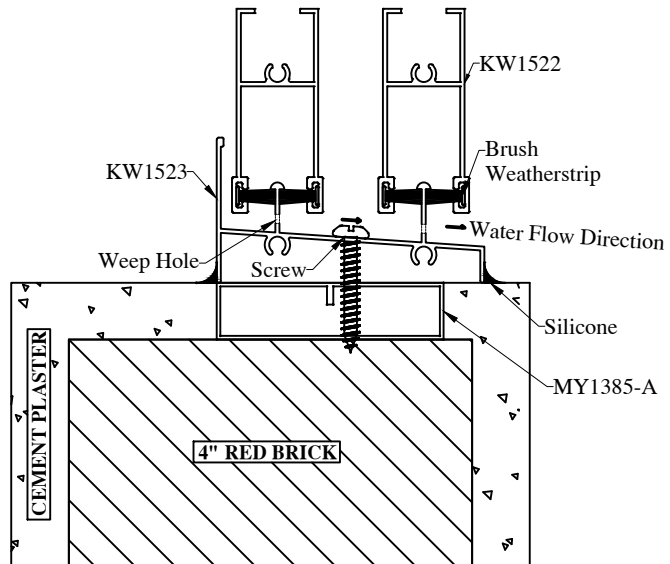
25.4MM PROFILE
SUBFRAME INSTALLATION
SECTION VIEW

INSIDE



25.4MM PROFILE
SUBFRAME INSTALLATION
SECTION VIEW

INSIDE



50MM PROFILE
SUBFRAME INSTALLATION
SECTION VIEW