



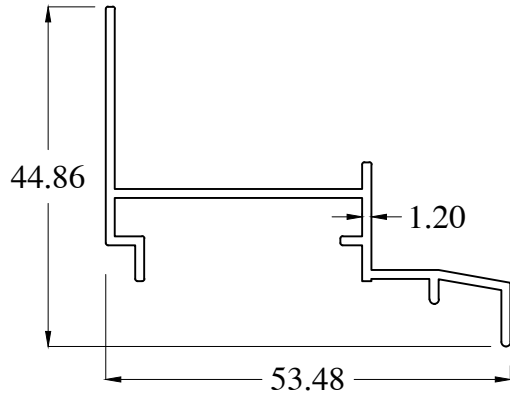
CURTAIN WALL WITHOUT FRAME (76 & 100MM)

NO.	PROFILE NO.	WEIGHT (kg / m)	AP (mm)	LENGTH (m , ft)	DESCRIPTIONS	REMARKS
GROUP -1 (CURTAIN WALL WITHOUT FRAME)						
1	CW607	0.391	241.26			
2	CW708	0.635	201.07			
3	CW717	1.082	183.03			
4	CW729	0.928	231.57			
5	CW817	1.325	227.83			
6	CW829	1.396	279.57			
GROUP -2 (CURTAIN WALL WITH FRAME)						
7	CW605	0.326	125.03			
8	CW606	0.174	138.43			
9	CW607	0.391	241.26			
10	CW701	0.853	140.35			

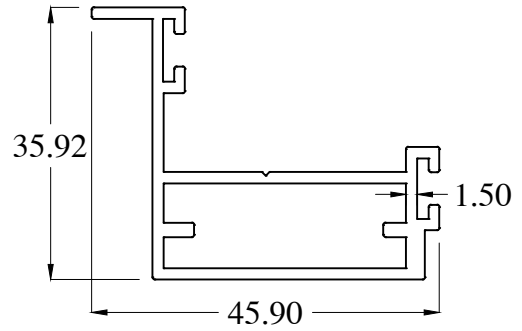


CURTAIN WALL WITH FRAME (76 & 100MM)

NO.	PROFILE NO.	WEIGHT (kg / m)	AP (mm)	LENGTH (m , ft)	DESCRIPTIONS	REMARKS
11	CW702	1.047	278.63			
12	CW703	0.998	464.67			
13	CW704	1.400	461.47			
14	CW801	1.095	185.15			
15	CW802	1.461	327.43			
16	CW803	1.340	506.67			
17	CW804	1.891	506.27			



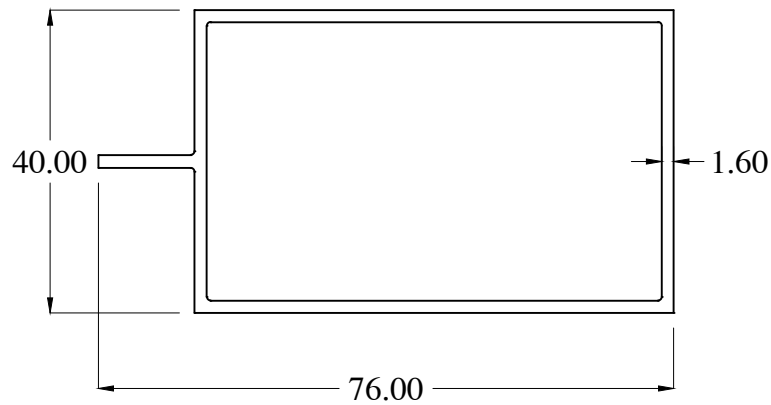
CW607
WT : 0.391 Kg/m



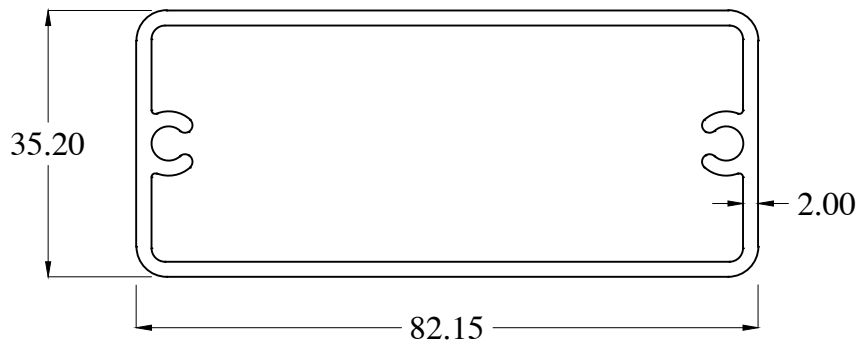
CW708
WT : 0.635 Kg/m



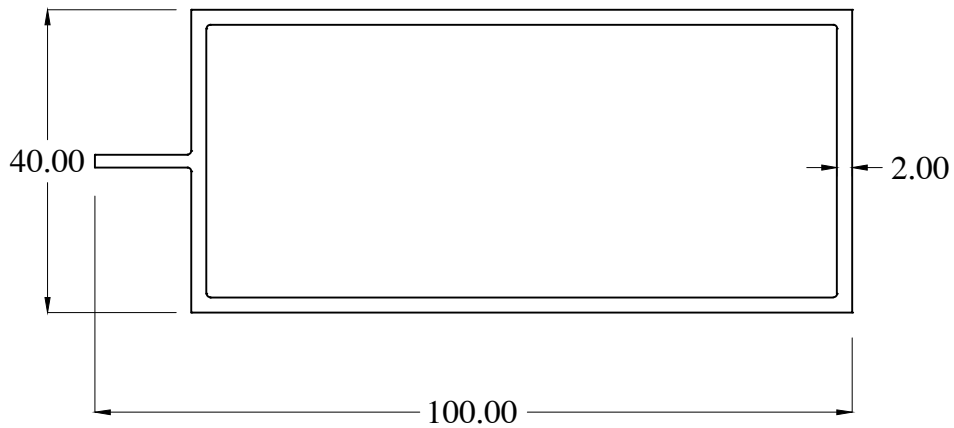
CW717
WT : 1.082 Kg/m



CW729
WT : 0.928 Kg/m

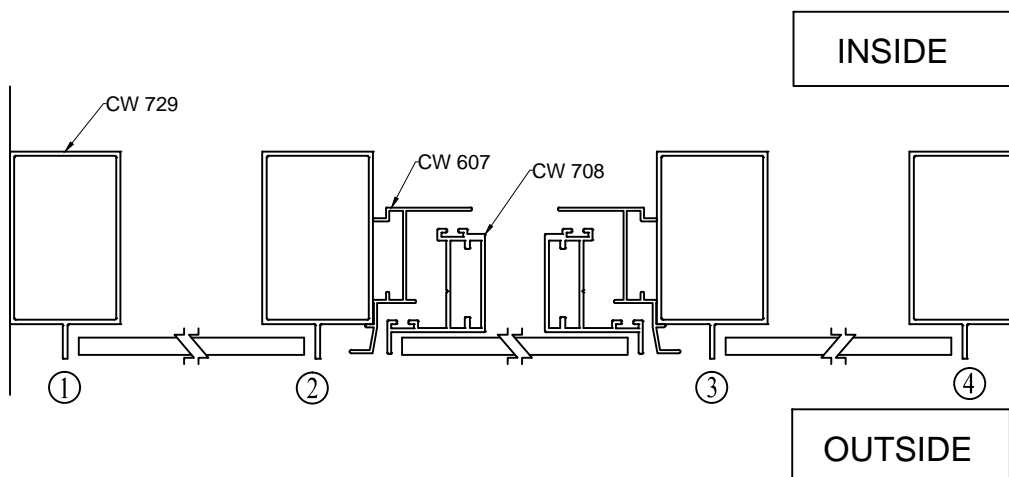
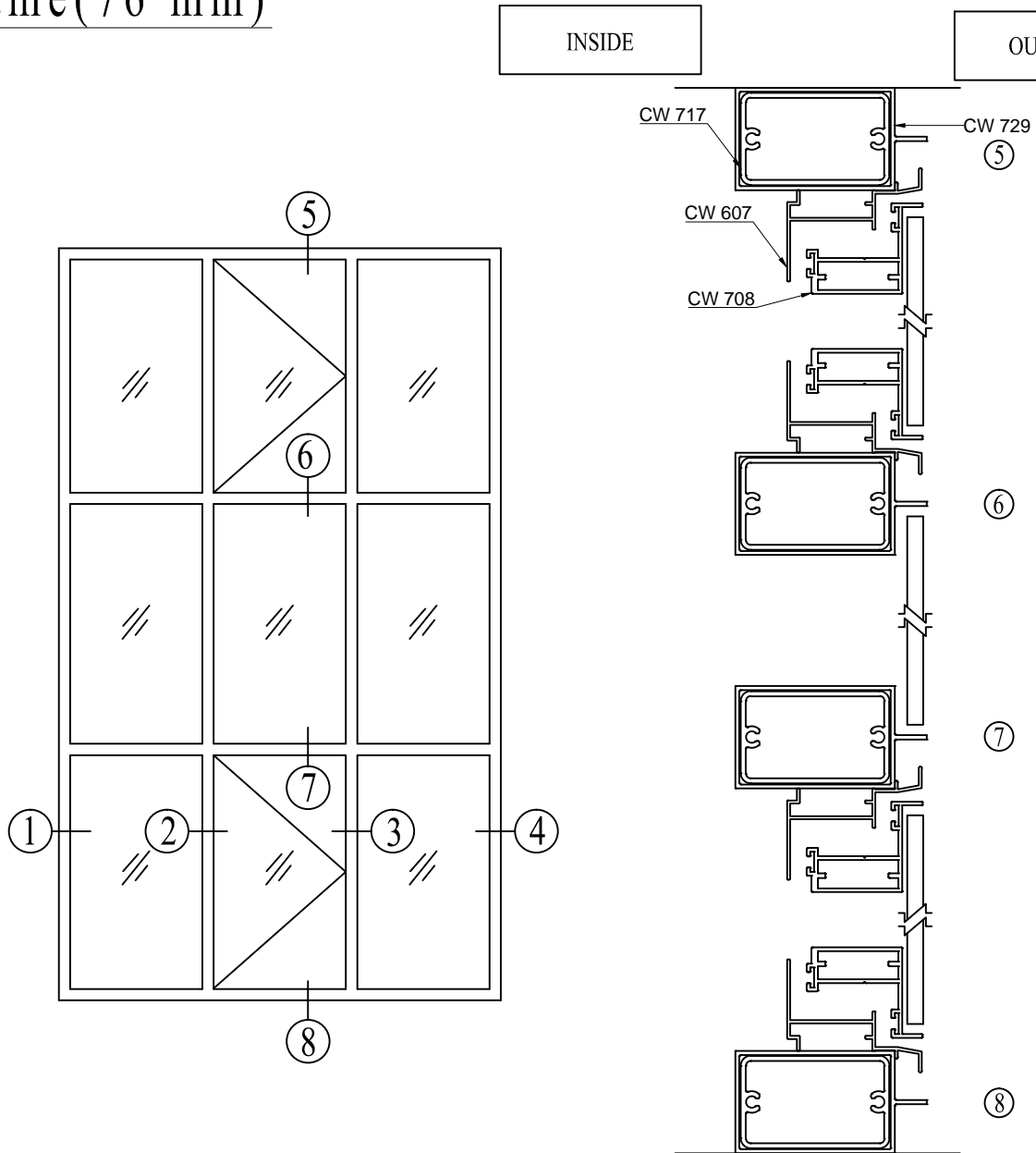


CW817
WT : 1.325 Kg/m

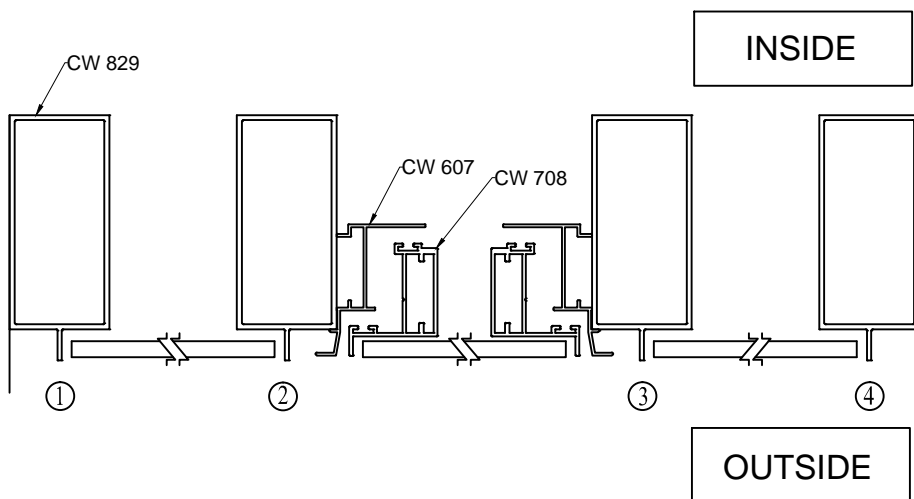
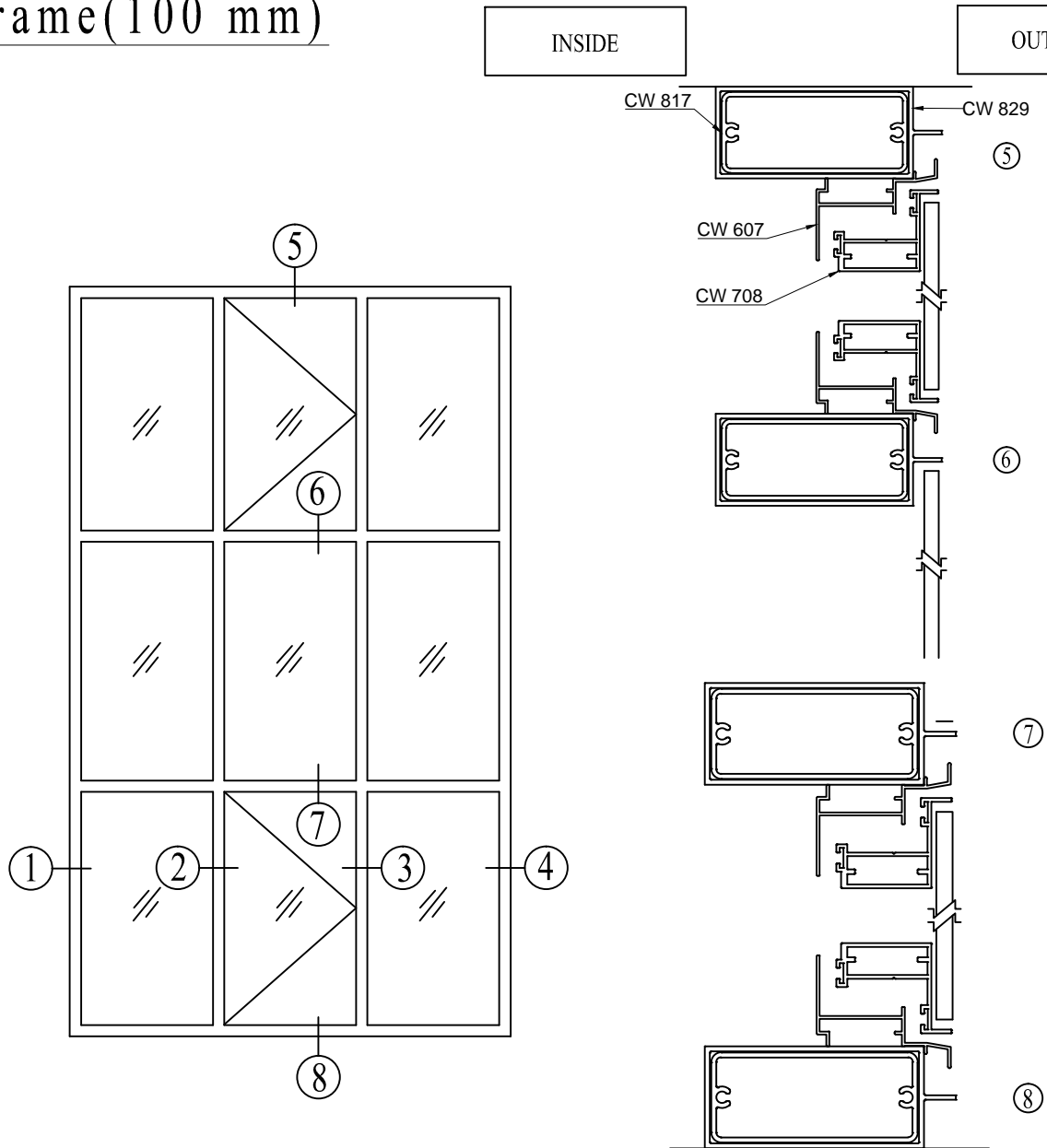


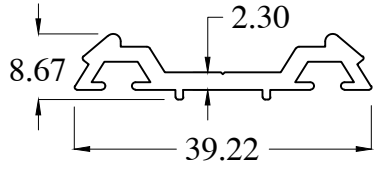
CW829
WT : 1.396 Kg/m

Curtain Wall Without
Frame(76 mm)

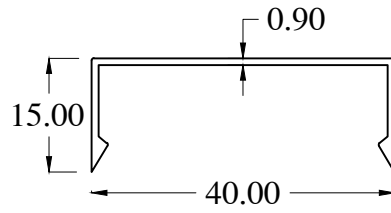


Curtain Wall Without
Frame(100 mm)

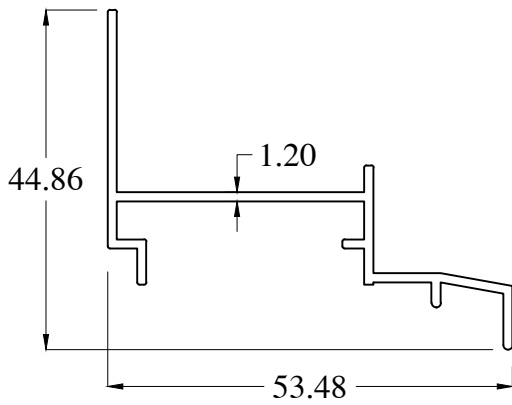




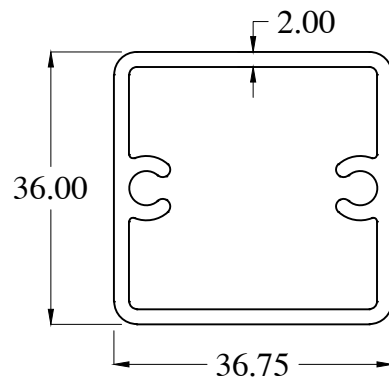
CW605
WT : 0.326 Kg/m



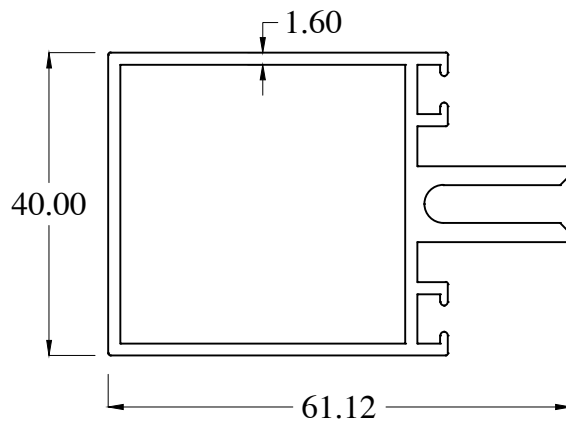
CW606
WT : 0.174 Kg/m



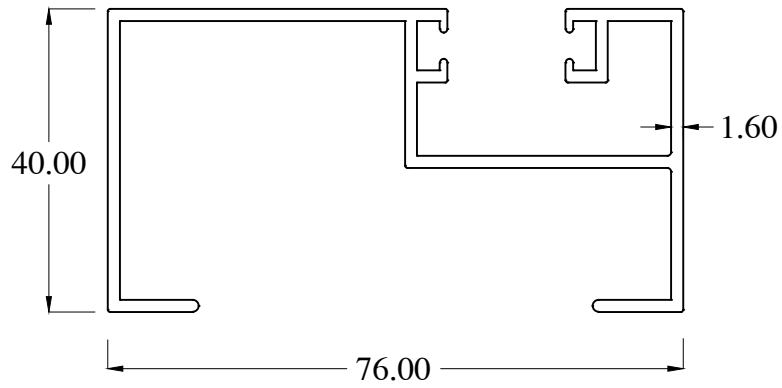
CW607
WT : 0.391 Kg/m



CW701
WT : 0.853 Kg/m

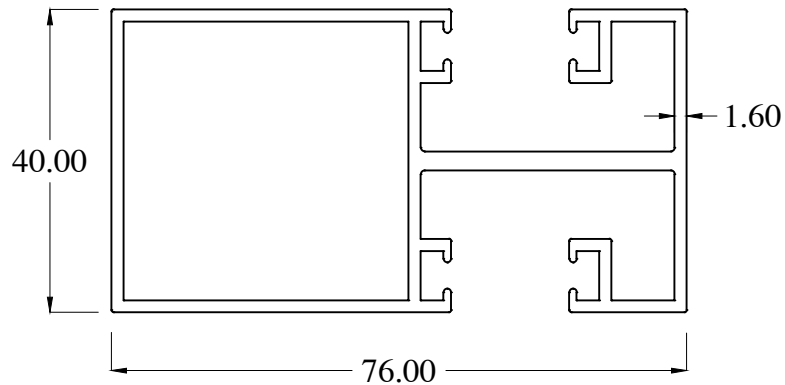


CW702
WT : 1.047 Kg/m



CW703

WT : 0.998 Kg/m



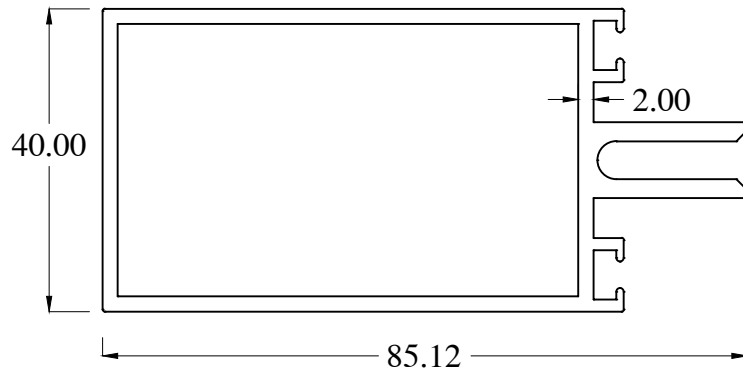
CW704

WT : 1.400 Kg/m

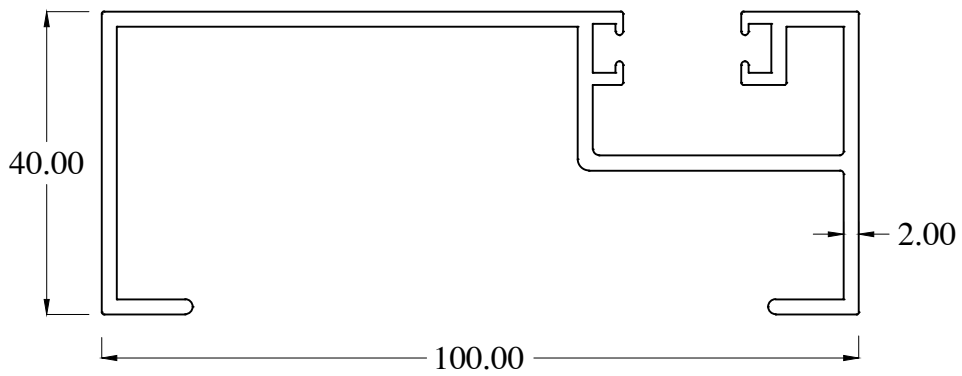


CW801

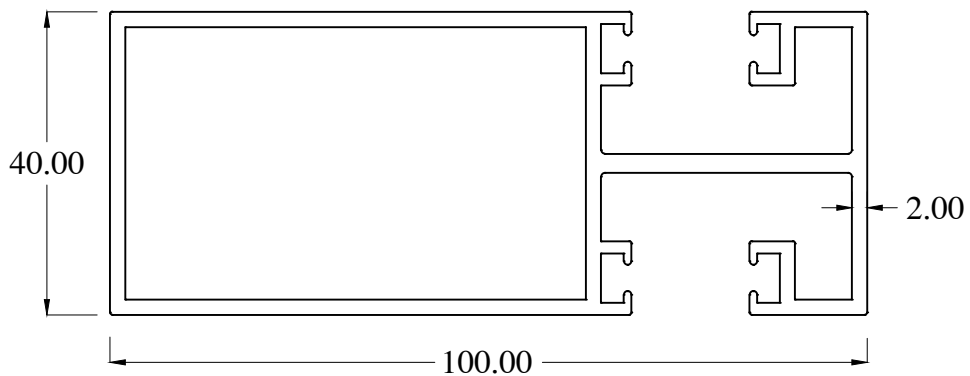
WT : 1.095 Kg/m



CW802
WT : 1.461 Kg/m

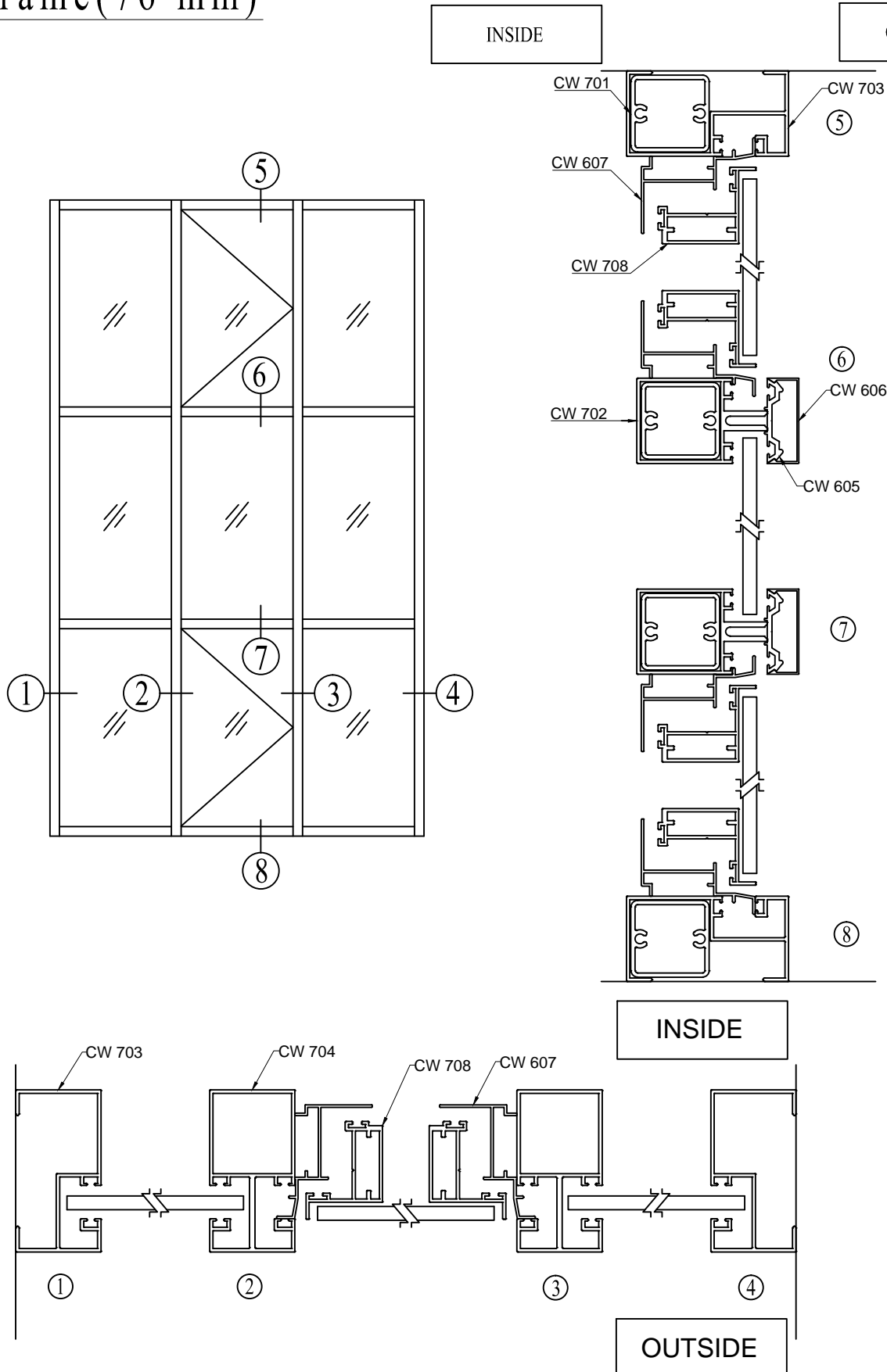


CW803
WT : 1.340 Kg/m



CW804
WT : 1.891 Kg/m

Curtain Wall With
Frame(76 mm)



Curtain Wall With
Frame(100 mm)

