



LOUVRES

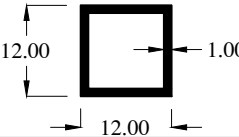
DATE : 11.11.20

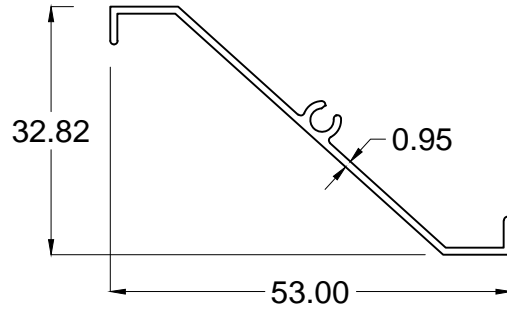
NO.	PROFILE NO.	WEIGHT (kg / m)	AP (mm)	LENGTH (m , ft)		DESCRIPTIONS	REMARKS
1	LV100-A	0.218	160.22				
2	LV100-B	0.188	147.75				
3	LV200	0.244	178.68				
4	LV700	0.537	332.86				
5	LV701	0.405	251.60				
6	LV703	0.376	274.43				
7	LV704	0.488	175.00				
8	LV1004	0.120	112.70				
9	CH0412	0.134	125.40				
10	SG1150	0.980	213.69				



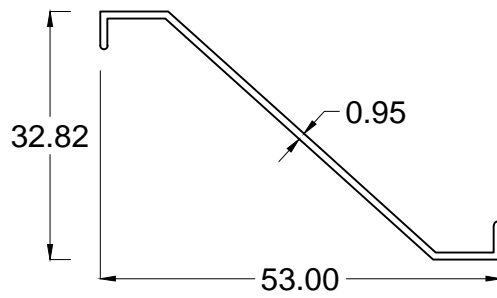
LOUVRES

DATE : 11.11.20

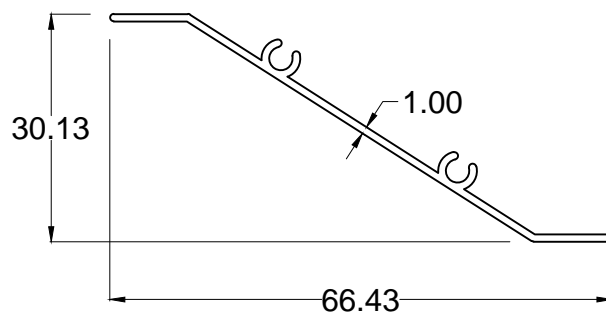
NO.	PROFILE NO.	WEIGHT (kg / m)	AP (mm)	LENGTH (m , ft)		DESCRIPTIONS	REMARKS
11	HB0404-1	0.127	48.00				



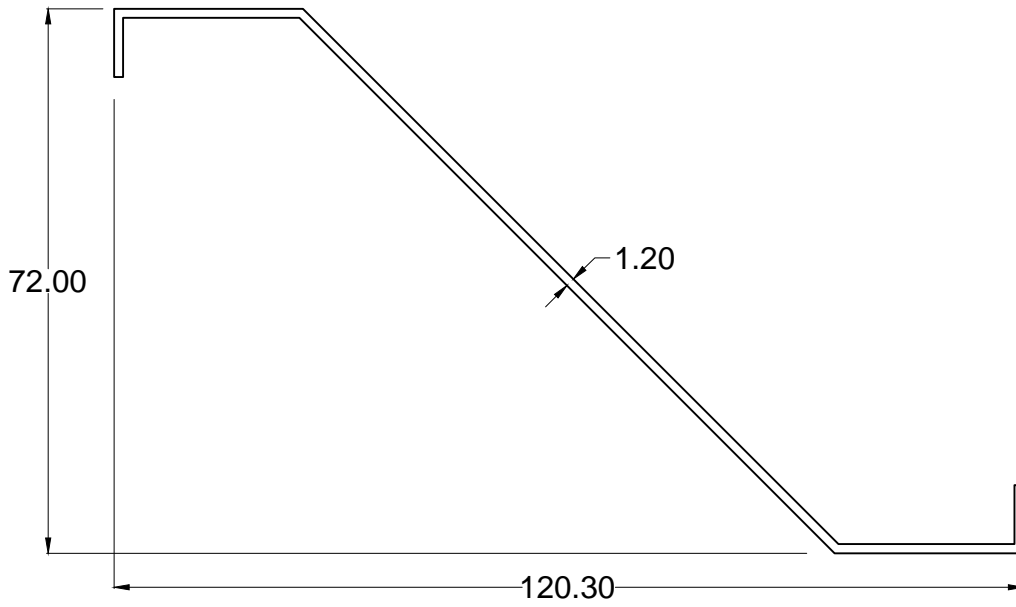
LV100-A
WT : 0.218 Kg/m



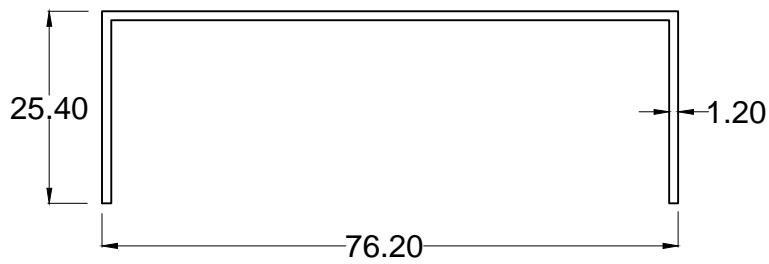
LV100-B
WT : 0.188 Kg/m



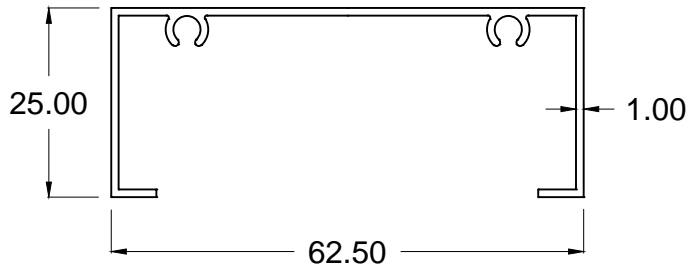
LV200
WT : 0.244 Kg/m



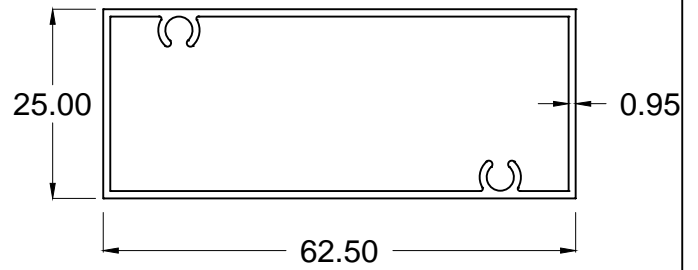
LV700
WT : 0.537 Kg/m



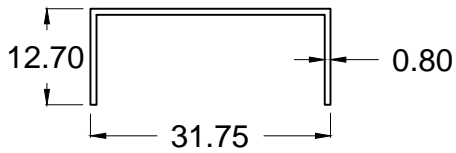
LV701
WT : 0.405 Kg/m



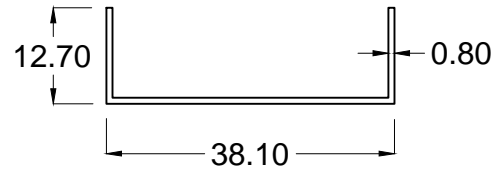
LV703
WT : 0.376 Kg/m



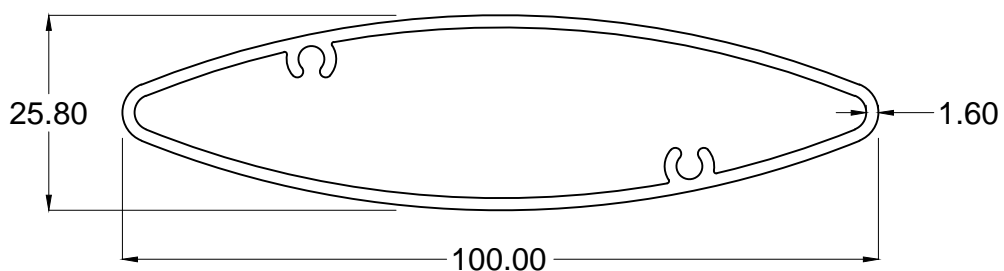
LV704
WT : 0.488 Kg/m



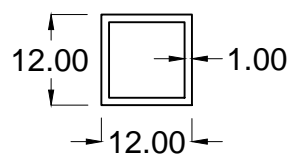
LV1004
WT : 0.120 Kg/m



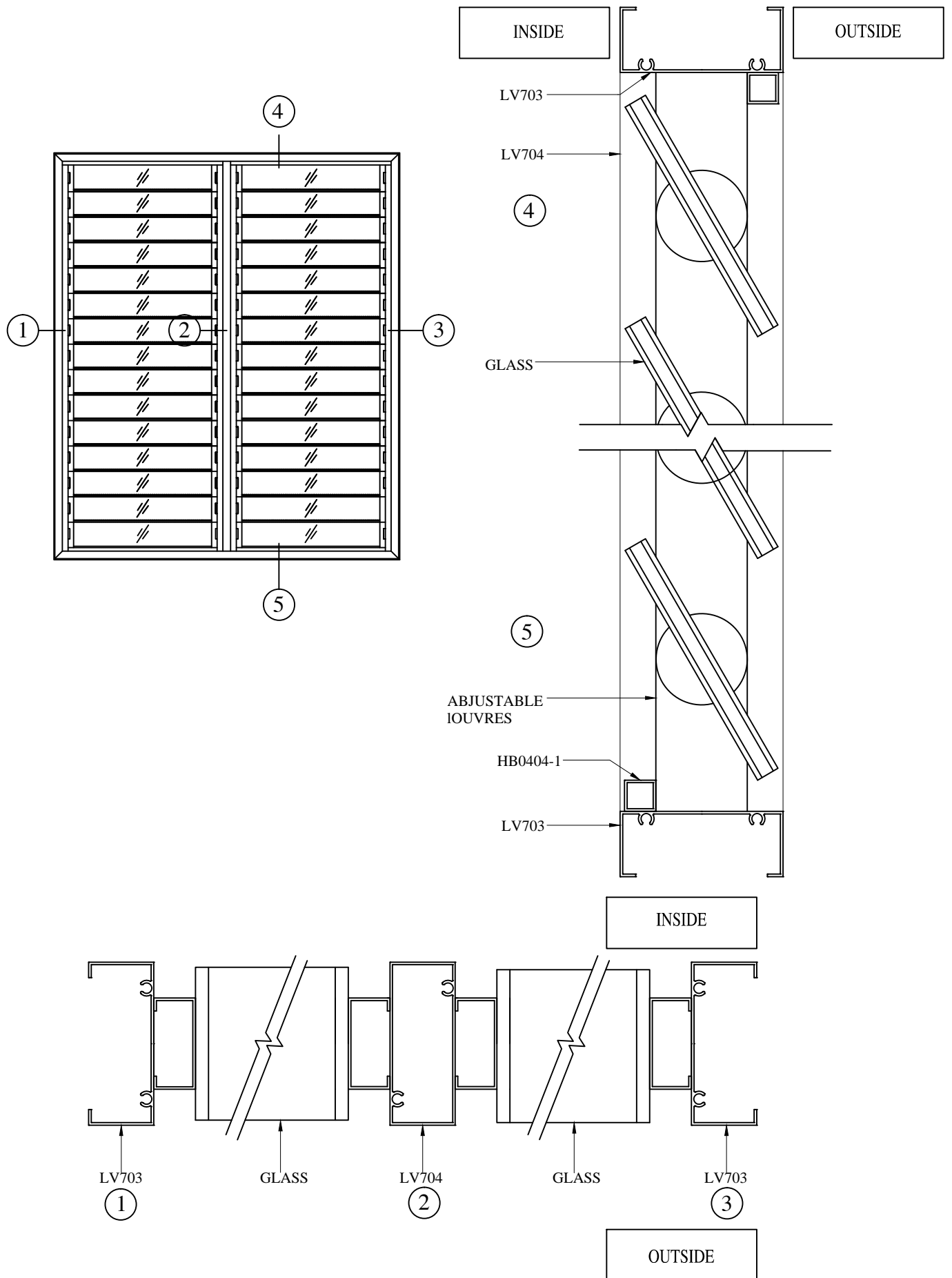
CH0412
WT : 0.134 Kg/m



SG1150
WT : 0.980 Kg/m

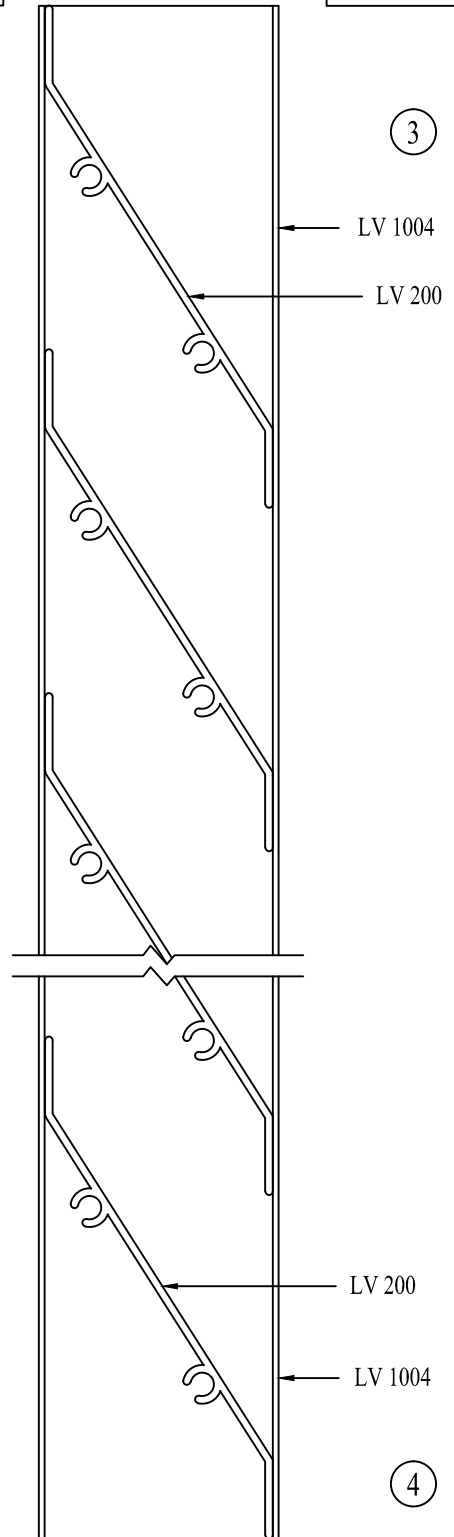
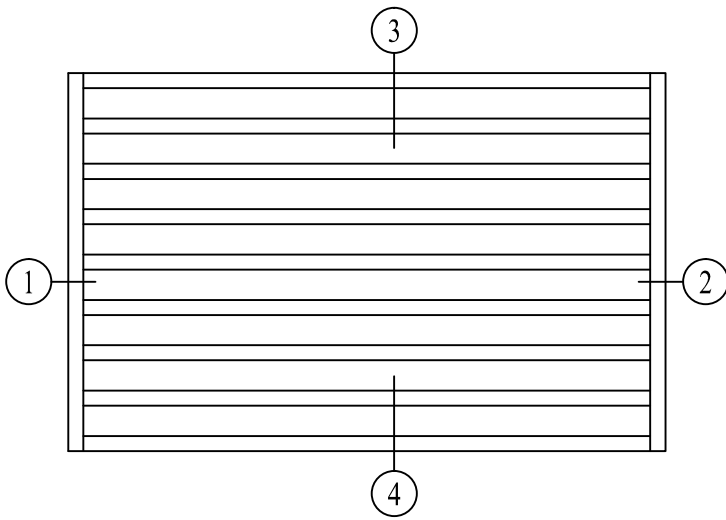


HB0404-1
WT : 0.127 Kg/m

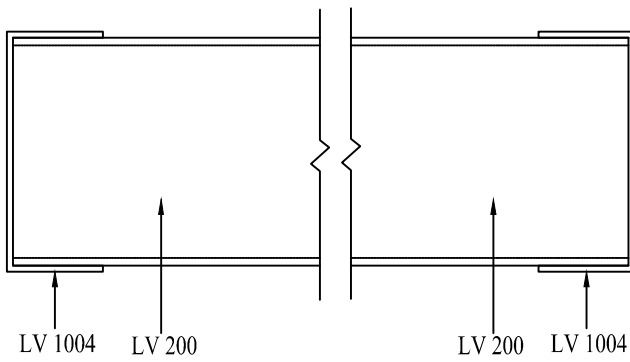


INSIDE

OUTSIDE



INSIDE



OUTSIDE

①

②

④

