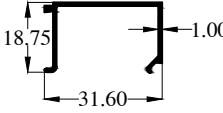
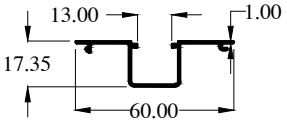
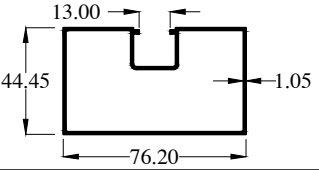
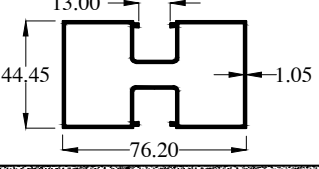
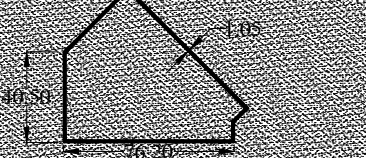
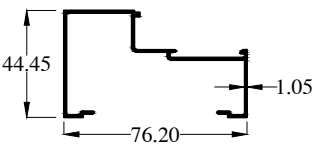
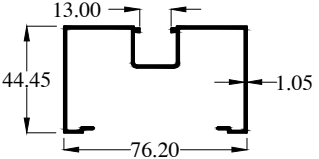
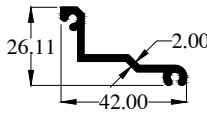
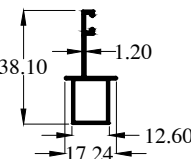
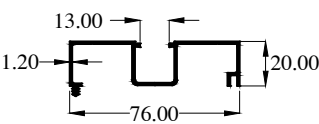
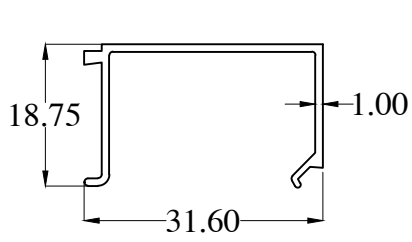


| NO. | PROFILE NO. | WEIGHT (kg / m) | AP (mm) | LENGTH (m , ft) | DESCRIPTIONS | REMARKS |
|-------------|-------------|-----------------|---------|-----------------|--|---------|
| (GROUP 1) | | | | | | |
| 1 | KS3903 | 0.214 | 143.40 | |  | |
| 2 | KS3904 | 0.309 | 208.71 | |  | |
| 3 | KS3907 | 0.821 | 282.97 | |  | |
| 4 | KS3908 | 0.935 | 324.65 | |  | |
| 5 | KS3910 | 0.737 | 250.74 | |  | |
| 6 | KS3911 | 0.593 | 392.93 | |  | |
| 7 | KS3913 | 0.677 | 448.98 | |  | |
| 8 | KS3914 | 0.408 | 142.64 | |  | |
| 9 | KS3921 | 0.244 | 123.89 | |  | |
| 10 | KS5004 | 0.575 | 349.22 | |  | |

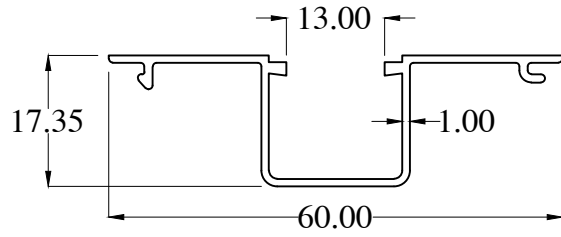


SHOP FRONT

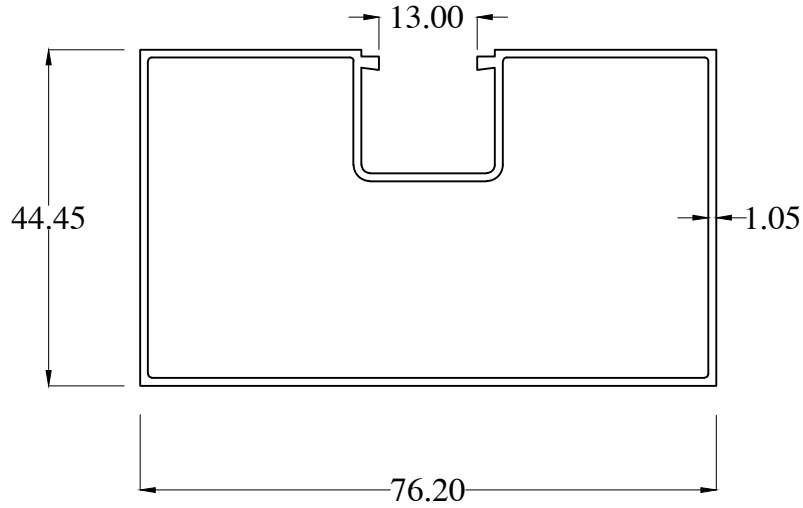
| NO. | PROFILE NO. | WEIGHT (kg / m) | AP (mm) | LENGTH (m , ft) | DESCRIPTIONS | REMARKS |
|-------------|-------------|-----------------|---------|-----------------|--------------|---------|
| (GROUP 2) | | | | | | |
| 11 | KS3915 | 0.580 | 417.13 | | | |
| 12 | KS3916 | 0.748 | 270.71 | | | |
| 13 | KS3917 | 0.179 | 132.88 | | | |
| 14 | KS3918 | 0.540 | 372.53 | | | |
| 15 | KS3919 | 0.858 | 312.82 | | | |
| 16 | KS3920 | 0.263 | 195.70 | | | |
| (GROUP 3) | | | | | | |
| 17 | SG1122 | 0.580 | 429.18 | | | |
| 18 | SG1123* | 0.517 | 374.41 | | | |
| 19 | SG1124-1* | 0.278 | 205.86 | | | |
| 20 | SG1126 | 0.201 | 148.73 | | | |



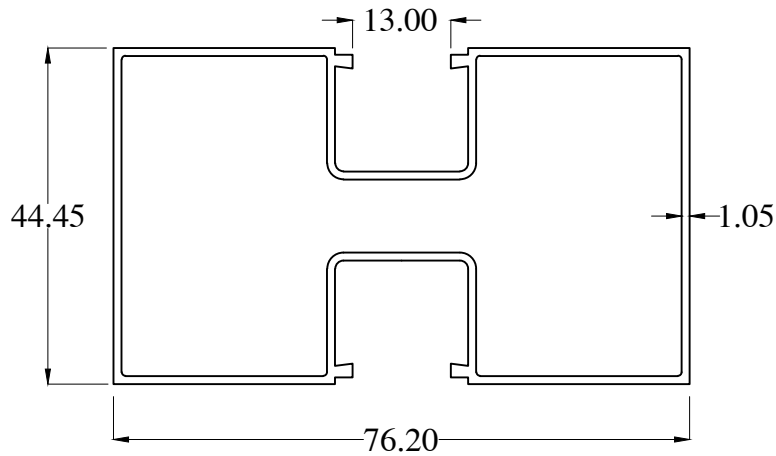
KS3903
WT : 0.214 Kg/m



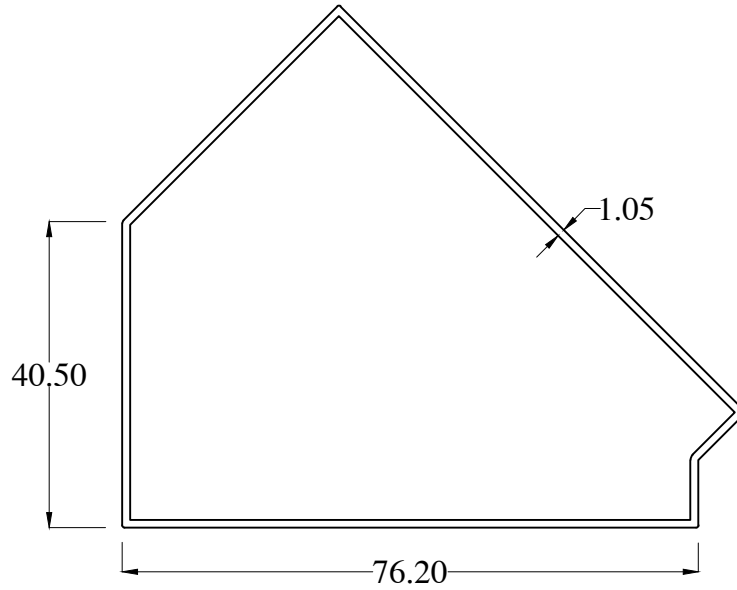
KS3904
WT : 0.309 Kg/m



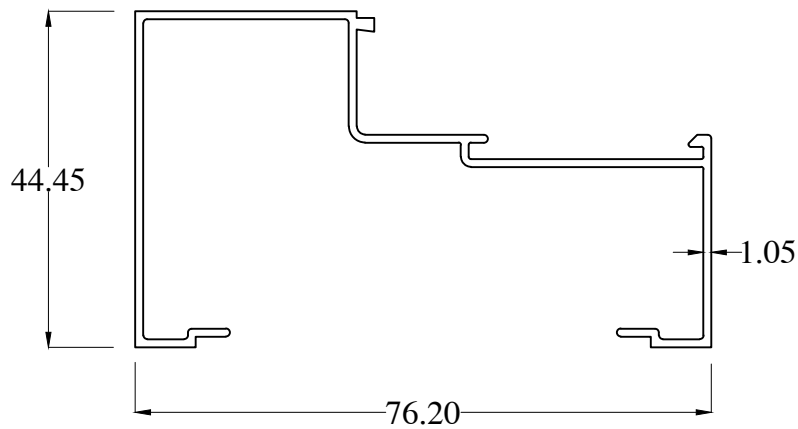
KS3907
WT : 0.821 Kg/m



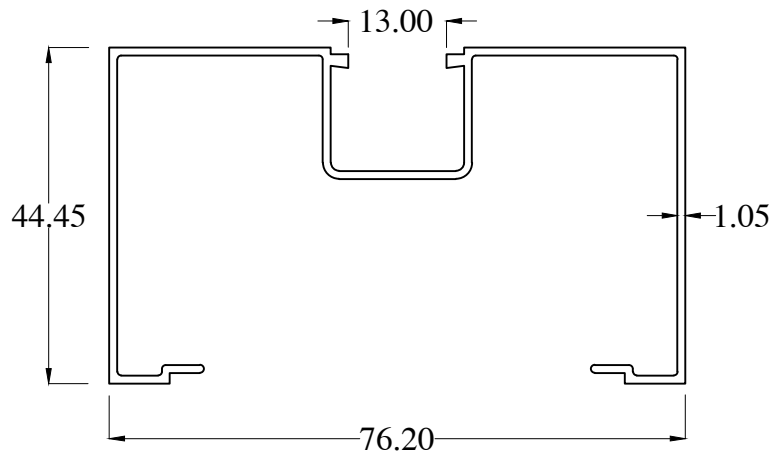
KS3908
WT : 0.935 Kg/m



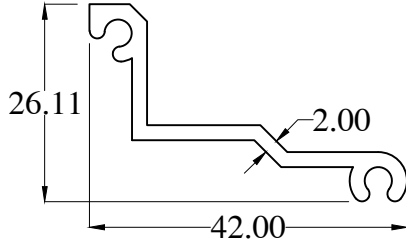
KS3910
WT : 0.737 Kg/m



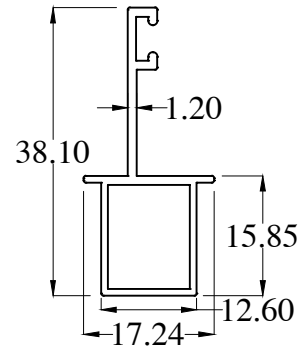
KS3911
WT : 0.593 Kg/m



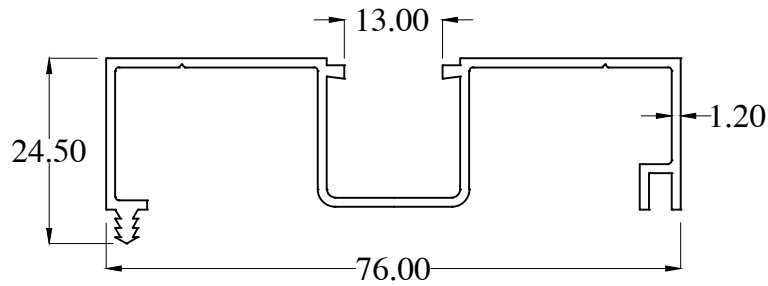
KS3913
WT : 0.677 Kg/m



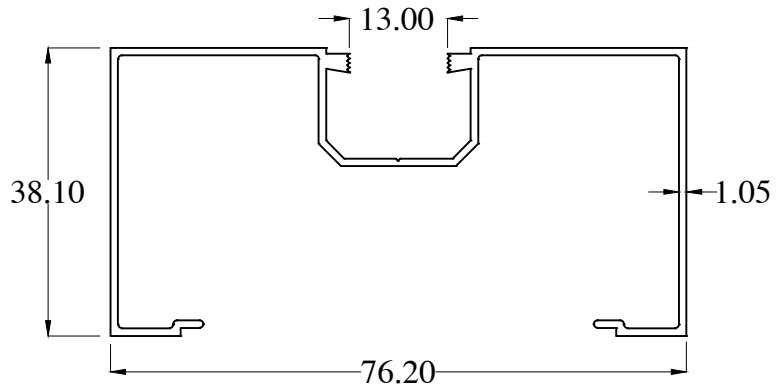
KS3914
WT : 0.408 Kg/m



KS3921
WT : 0.244 Kg/m

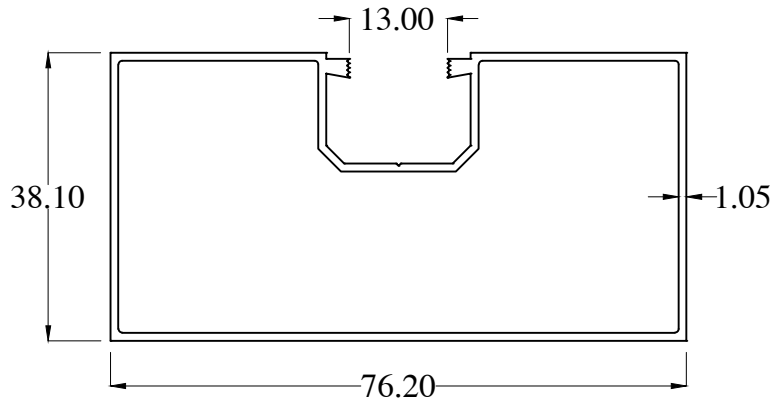


KS5004
WT : 0.575 Kg/m



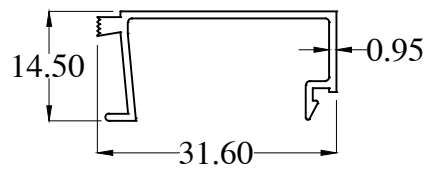
KS3915

WT : 0.580 Kg/m



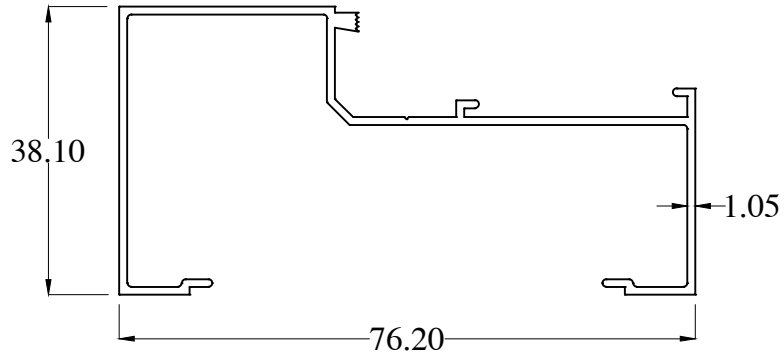
KS3916

WT : 0.748 Kg/m



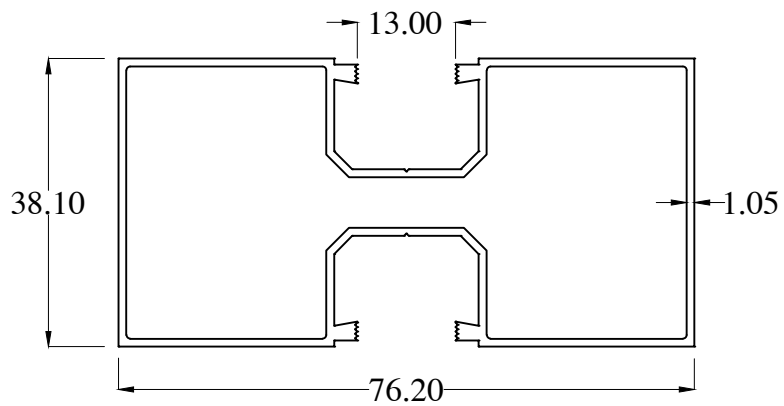
KS3917

WT : 0.179 Kg/m



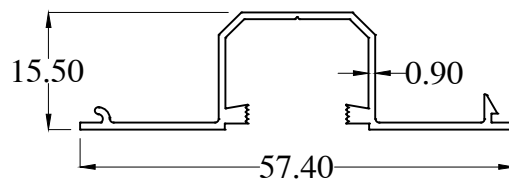
KS3918

WT : 0.540 Kg/m



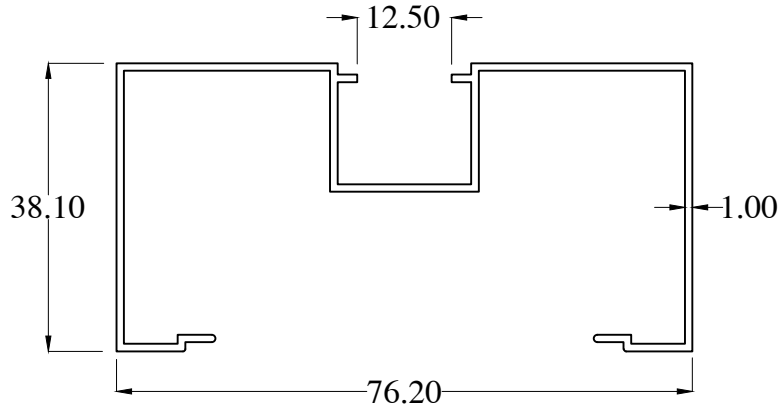
KS3919-1

WT : 0.858 Kg/m

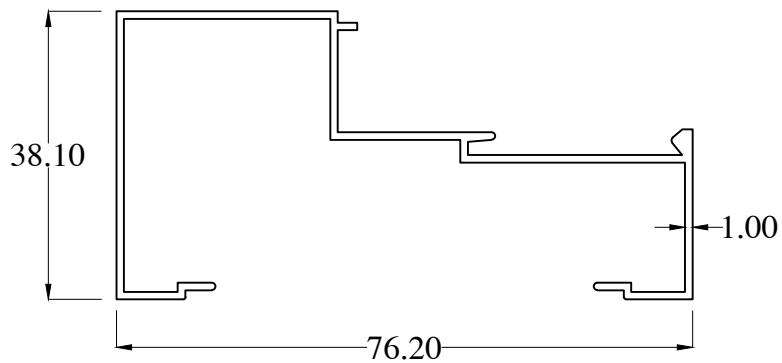


KS3920

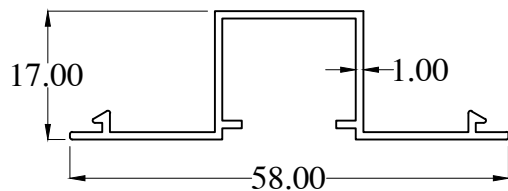
WT : 0.263 Kg/m



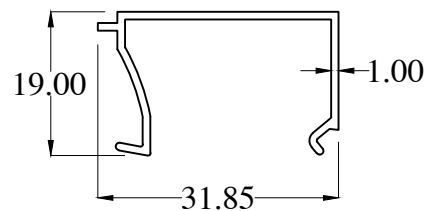
SG1122
WT : 0.580 Kg/m



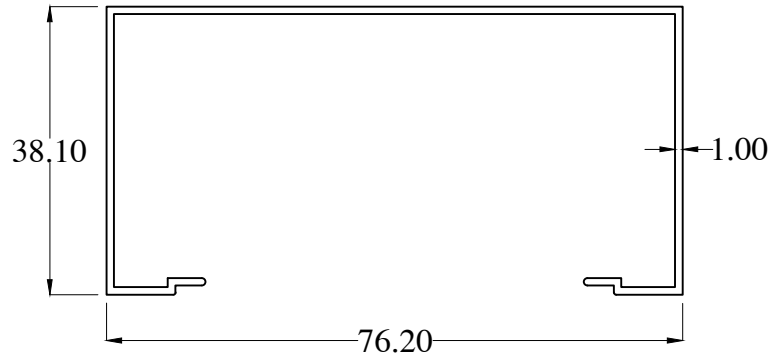
SG1123
WT : 0.517 Kg/m



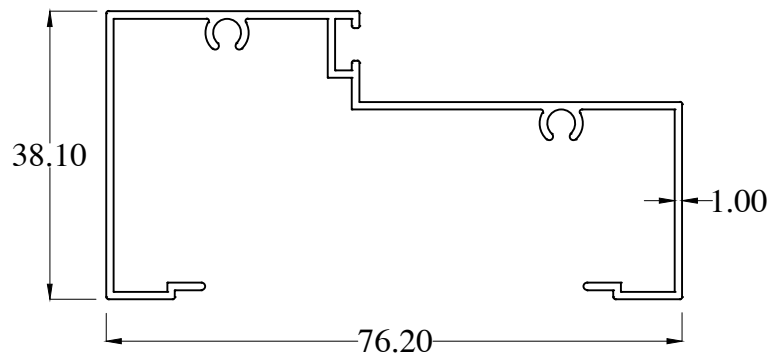
SG1124-1
WT : 0.278 Kg/m



SG1126
WT : 0.201 Kg/m



SG1128
WT : 0.479 Kg/m



SG1137-A
WT : 0.544 Kg/m

