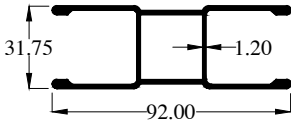
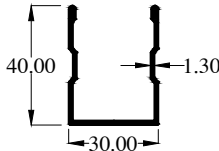
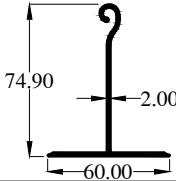
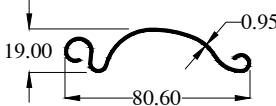
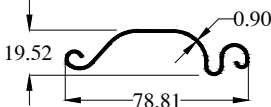
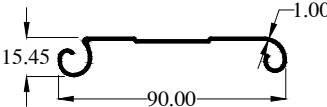
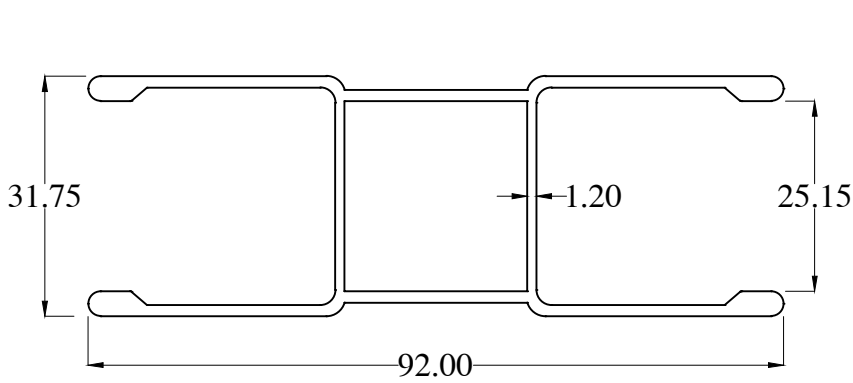
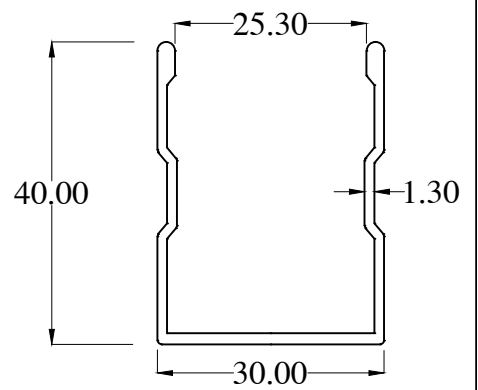


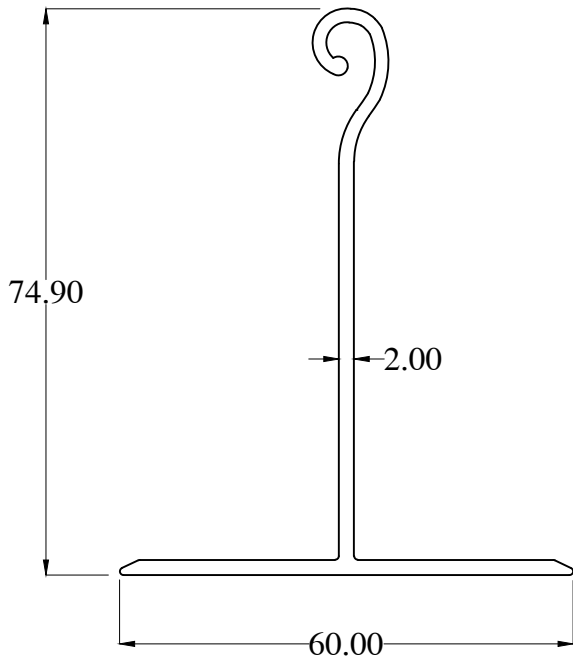
NO.	PROFILE NO.	WEIGHT (kg / m)	AP (mm)	LENGTH (m , ft)		DESCRIPTIONS	REMARKS
1	RS11-1	1.083	382.26				
2	RS12-1	0.468	221.08				
3	RS13-1	0.798	394.91				
4	RS14-1	0.328	256.33				
5	RS16-1	0.309	256.08				
6	RS25-2	0.371	270.65				



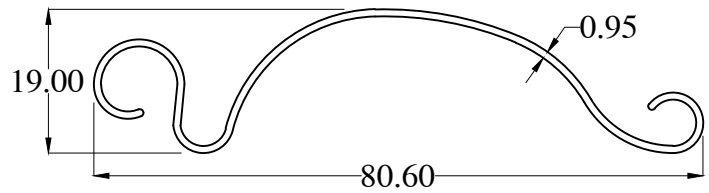
RS11-1
WT : 1.083 Kg/m



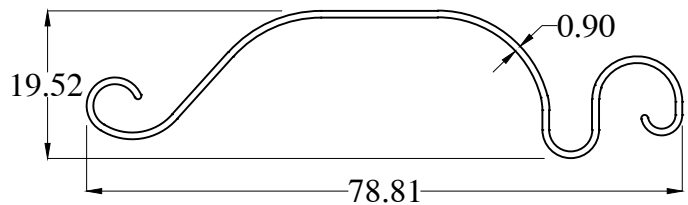
RS12-1
WT : 0.468 Kg/m



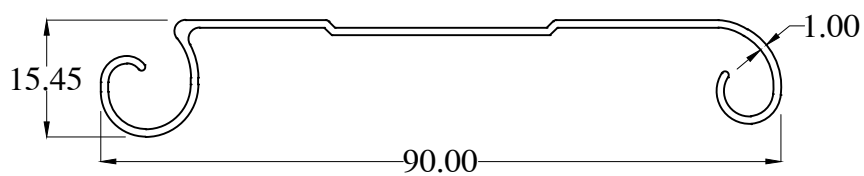
RS13-1
WT : 0.798 Kg/m



RS14-1
WT : 0.328 Kg/m



RS16-1
WT : 0.309 Kg/m



RS25-2
WT : 0.371 Kg/m

